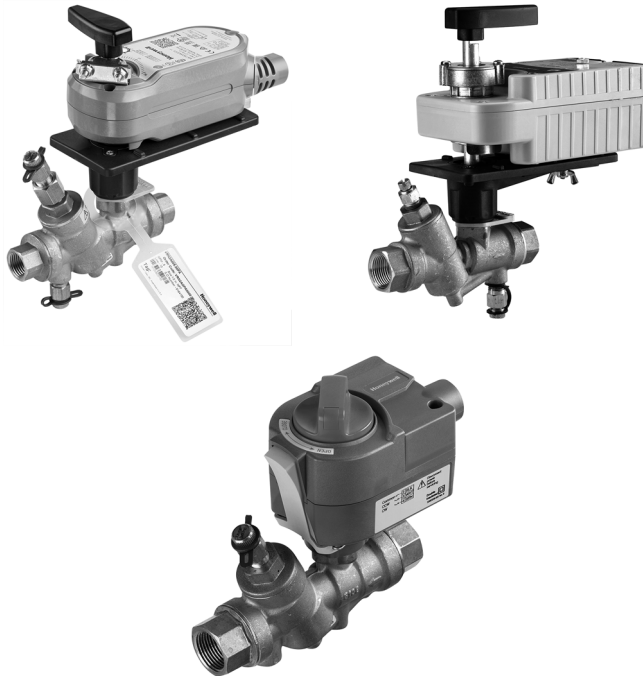


Honeywell

VRN Dynamic Pressure-Regulating Control Valves and Actuators

INSTALLATION INSTRUCTIONS



APPLICATION

The VRN2 two-way dynamic pressure-regulating control valves maintain constant flow of hot or chilled water with glycol solutions up to 50% in closed-loop heating, ventilating, and air conditioning systems, within the specified pressure drop ranges of each model number.

These valve assemblies can be ordered with or without factory-mounted actuators.

Application Notes

Valve sizing is important for correct system operation. Undersized valves do not have sufficient capacity at maximum load. Oversized valves do not have sufficient authority over the load in modulating applications.

Oversized valves can cause excessive cycling and the seat and ball can be damaged because of the restricted opening.

Proper Use

VRN valves are intended for use in chilled water and hot water closed loop applications only, with a temperature range of 35 to 250°F, and pressures up to 360psig.

Water should be properly filtered, treated and conditioned for good operating performance, and according to recommendations of the boiler or chiller manufacturers.

The installation of strainers and filters is recommended.

Do not use with manual balancing valves.

IMPORTANT

The presence of excessive iron oxide (red rust) in the system voids the valve warranty.

Effective Flow Rate

The built-in differential pressure regulator makes fluid flow through the valve independent of changes in supply. The pressure regulator virtually eliminates cavitation in the valve, and decouples the control valve from the effects of piping components such as reducers and elbows.

Pressure independent control valves are sized to match design coil flow regardless of coil connection size. VRN2 valves eliminate the need to balance the system for proper flow, and allow chillers to be operated at design temperature differential for maximum efficiency at every load condition. When used in a system with variable speed pump drives, 3-way valves and coil bypass lines are not required.

Required Operating Torque

Both Honeywell fail in place and fail-safe low torque direct coupled actuators can be used with the VRN valves.

VRN valves use a patented seat design that reduces the torque needed from the actuator.

Actuators with 27 lb-in torque, (for valves up to 1-1/4 in size), and 35 lb-in torque (for 1-1/2 in size and above) provide sufficient torque to operate the valve at rated close-off. (See Table 1).

Maximum safe operating torque is 44 lb-in.



38-00005EFS-04

Table 1. Close-off, Differential Pressure Ratings.

Valve Type	Valve Size	Close-off Pressure Rating (psi)
2 way	1/2 in. to 3 in.	100

INSTALLATION

When installing this product...

1. Read these instructions carefully. Failure to follow them could damage the product or cause a hazardous condition.
2. Check ratings given in instructions and on the product to ensure the product is suitable for your application.
3. Installer must be a trained, experienced service technician.
4. After installation is complete, check out product operation as provided in these instructions.

Preparation

CAUTION

Equipment Damage Hazard

Foreign particles like dirt and metal chips can damage the ball seals.

For trouble-free operation of the product, good installation practice must include initial system flushing, and chemical water treatment. Clean the lines upstream of particles larger than 1/16 inch diameter (welding slag, pipe scale, sand and other suspended particulate). Use of a 50 micron (or finer) system side stream filter is suggested. Remove all filters before flushing.

Do not use boiler additives, solder flux and wetted materials which are petroleum based or contain mineral oil, hydrocarbons, or ethylene glycol acetate. Compounds which can be used, with minimum 50% water dilution, are diethylene glycol, ethylene glycol, and propylene glycol (antifreeze solutions).

If installing these valves in an addition to, or retrofitting an existing building, do not assume that the fluid in the existing piping meets these criteria.

Mechanical Installation

IMPORTANT:

Hold valve with pipe wrench by hexagonal fitting ONLY. Do NOT handle the valve body with the pipe wrench; product damage may result.

The valves are tapped in NPT and should be sealed with an approved pipe sealant. Torque should not exceed 75 lb-ft.

Refer to actuator literature for actuator dimensions.

1. Clean the lines upstream of particles larger than 1/16 in. diameter (welding slag, pipe scale and other contaminants).
2. Proceed with installation once the system specifics (expansion/contraction of the system and its medium as well as operating pressures) are within tolerances.
3. Eliminate air from system.
4. Valves are marked to show flow direction.

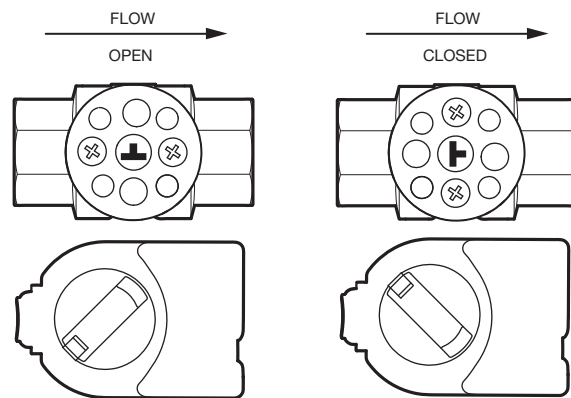
IMPORTANT

Flow arrows must point in the direction of the flow for proper operation.

5. Stem rotation:
 - a. Clockwise to close.
 - b. Counterclockwise to open.

NOTE: After valves have been installed in the piping, the installer can determine the ball orientation within the valve from the notches in the top of the valve stem. For VRN valves, the lengthwise direction of the notch indicates the flow through the ball (i.e. when the notch is parallel to the axis of the valve between A and B ports, the ball will allow flow through the valve).

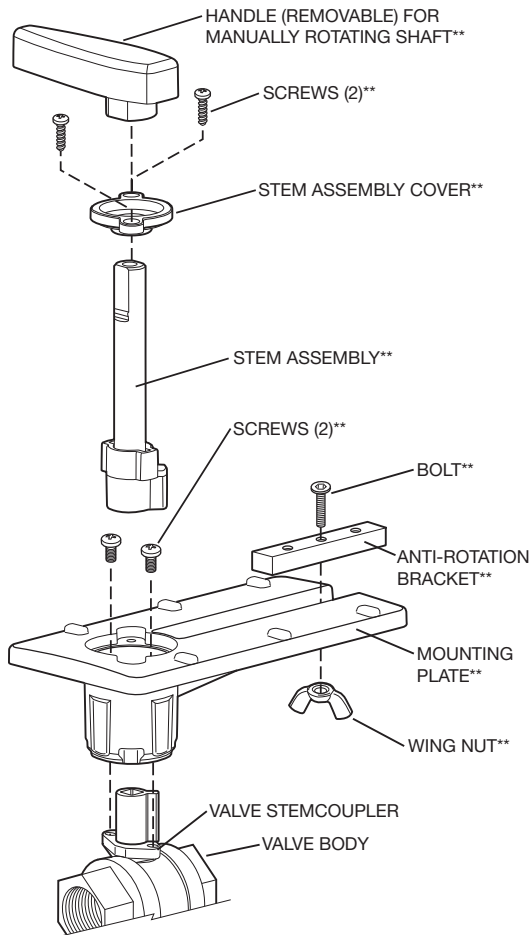
6. Valve must be mounted with the actuator/bracket above the valve body. Do not install the valve with the stem below horizontal or upside down. (See Fig. 3 and 4.)



NOTES: TO MOUNT ACTUATOR ON OPEN VALVE, TURN ACTUATOR FULLY COUNTER CLOCKWISE AS SHOWN. TO MOUNT ACTUATOR ON CLOSED VALVE, TURN ACTUATOR FULLY CLOCKWISE AS SHOWN.

M34979A

Fig. 1. Orientation of valve.



**INCLUDED IN REPLACEMENT KIT (PART NO. 5112-11)
M13738A

Fig. 2. Valve assembly exploded view.

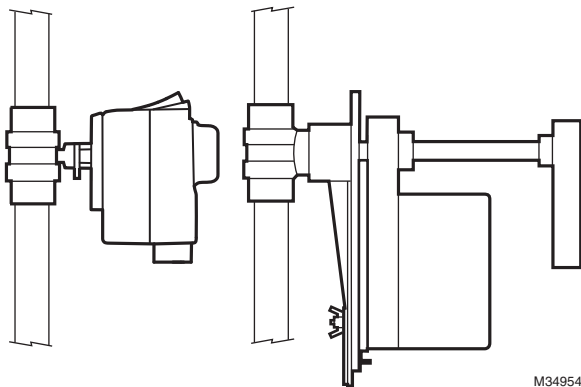
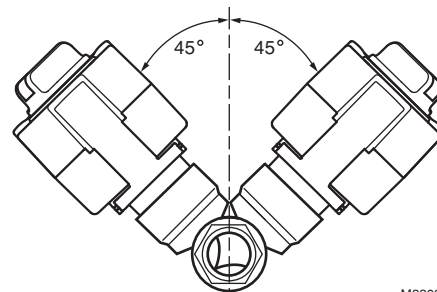


Fig. 3. Vertical valve installation.

M34954



M33091

Fig. 4. Acceptable valve angle from vertical

Mounting Plate Adjustment

The Actuator Mounting Plate can be rotated to a different position for installation in confined spaces. This is accomplished as follows:

1. Remove the handle from the shaft and set it aside.
2. Remove the two screws that hold the stem assembly to the mounting plate and set them aside.
3. Remove and set aside the stem assembly.
4. Remove and set aside the two screws that attach the mounting plate to the valve.
5. Remove and set aside hold-down ring from mounting plate.
6. Rotate mounting plate around valve top to the desired position.

NOTE: Take note of the screw hole positions on the valve. They limit the mounting plate positions.

7. Lower ring down to valve body and engage it in the new position relative to the mounting plate.
8. Tighten screws to valve body securing the mounting plate.
9. Reattach the stem assembly to the mounting plate.
10. If desired, replace the handle on the shaft.

NOTE: See Fig. 2 for valve exploded view.

Electrical Installation

1. If necessary, remove actuator wiring cover.
2. Wire actuator using Figures 5 through 28 for the application required.
3. Replace cover.

Wiring

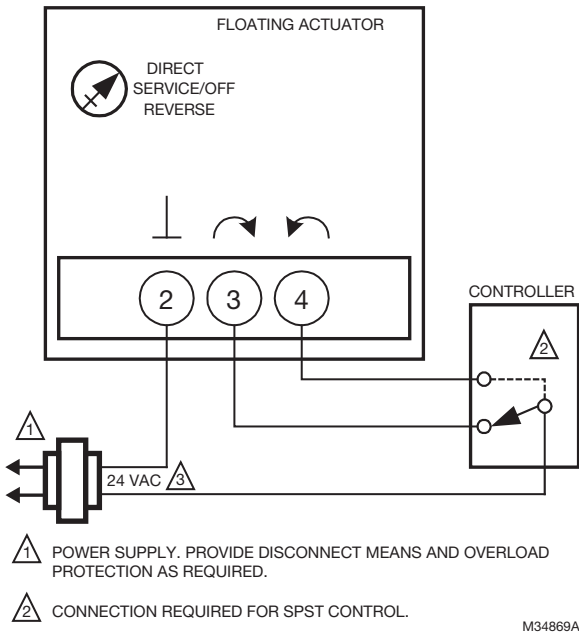


Fig. 5. MN6105 with On/Off SPDT Control.

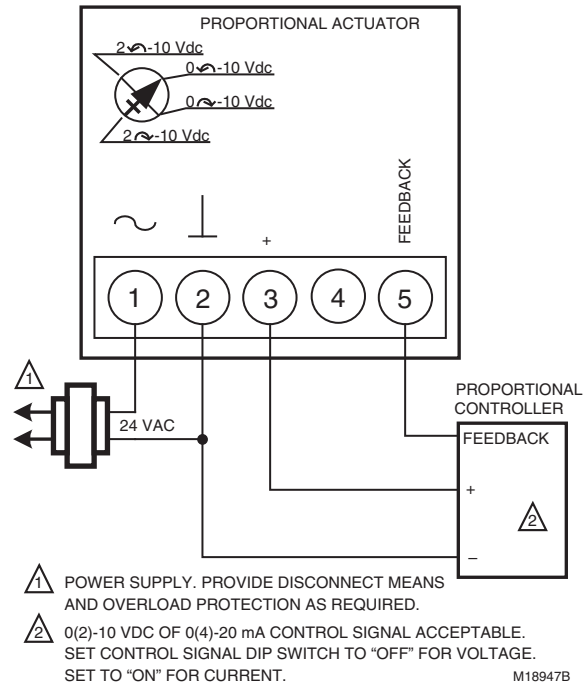


Fig. 7. MN7505 with 0(2)-10 Vdc Control.

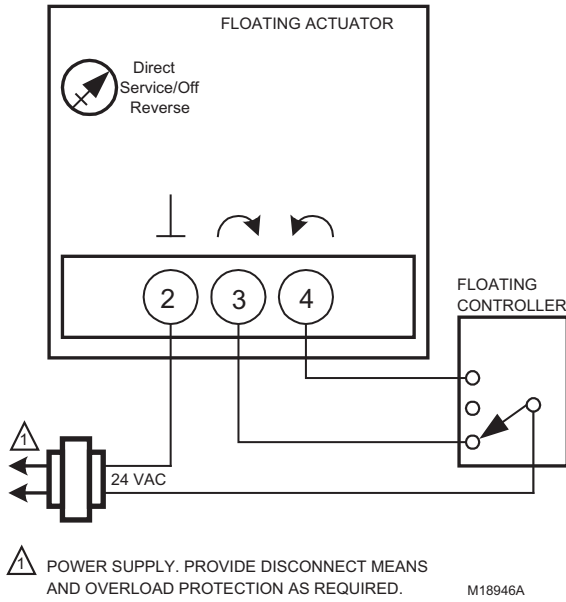


Fig. 6. MN6105 with Floating Control.

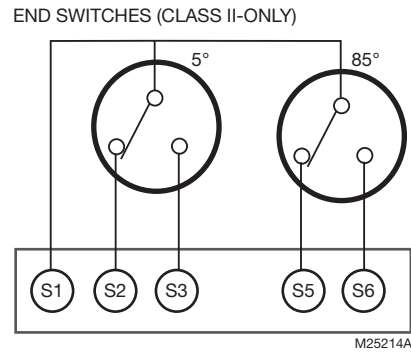


Fig. 8. Wiring for MN6105 and MN7505 models with aux./end switches.

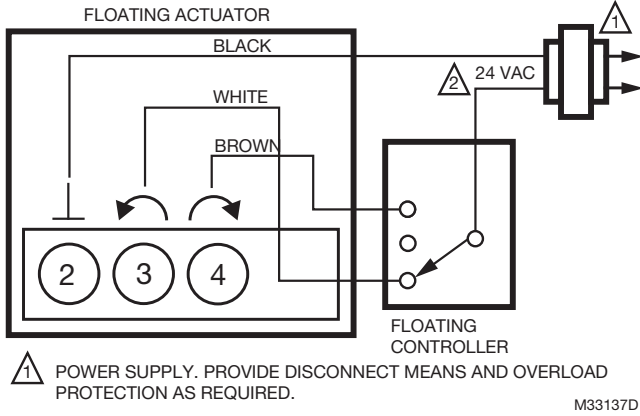


Fig. 9. MVN613 with Floating Control.

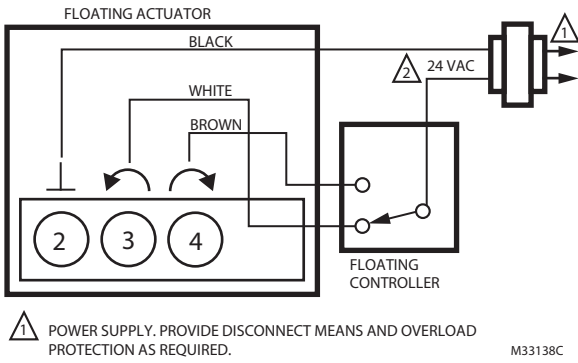


Fig. 10. MVN613 or MVN643 with Two Position SPDT Control.

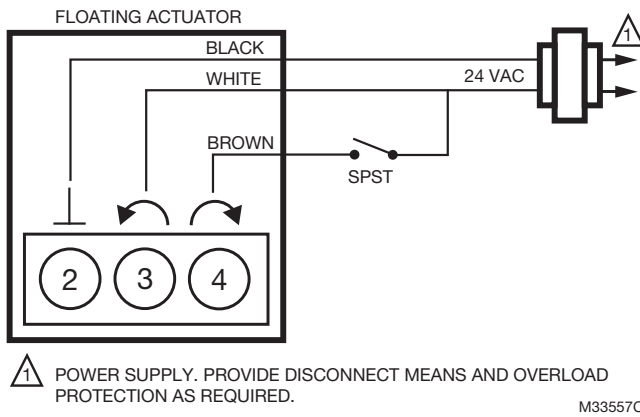


Fig. 11. MVN643 with Two Position SPST Control.

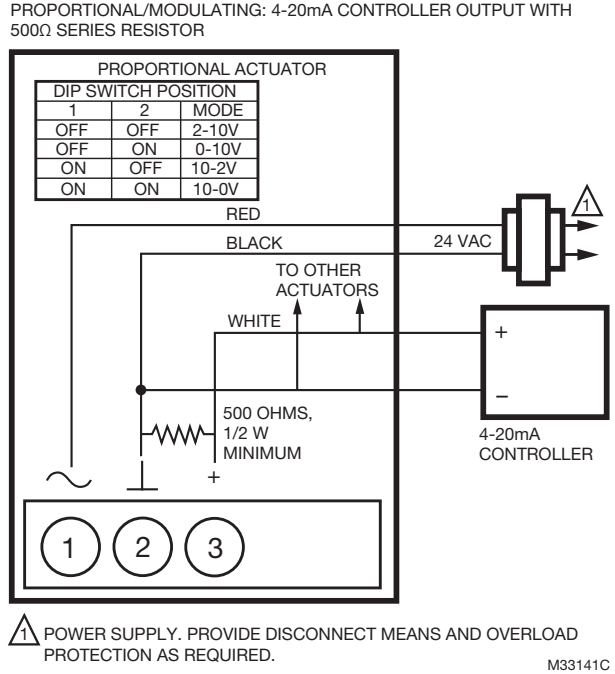


Fig. 12. MVN713 with 4-20mA Control.

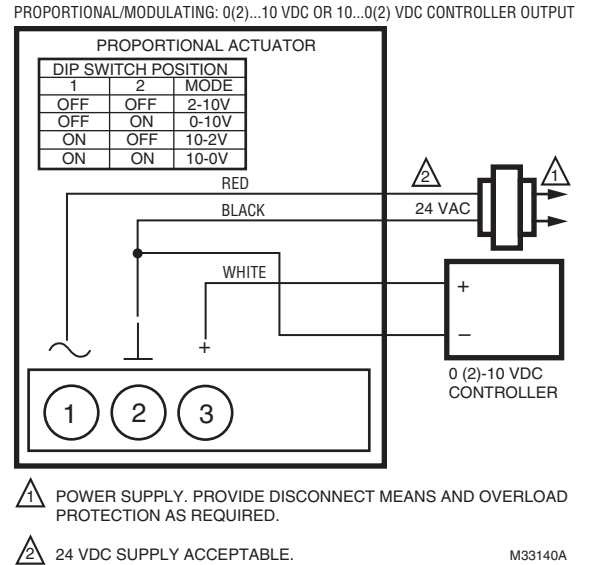


Fig. 13. MVN713 with 0(2)-10 Vdc Control.

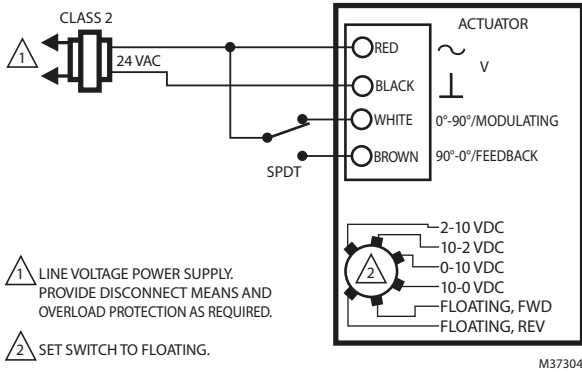


Fig. 14. MS7505 with Two Position SPDT Control.

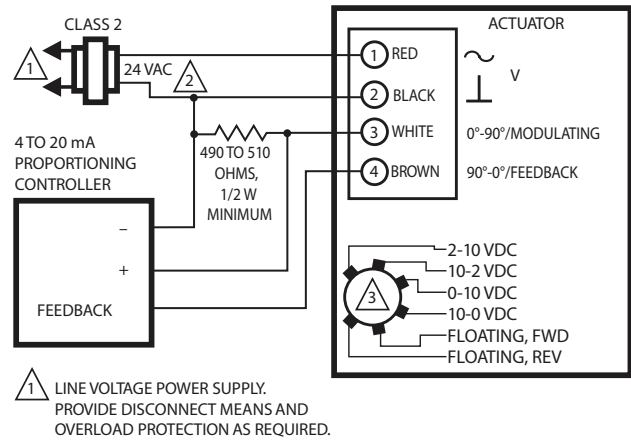


Fig. 17. MS7103 with 4-20 mA Control (MS7503 shown, ignore selection switch).

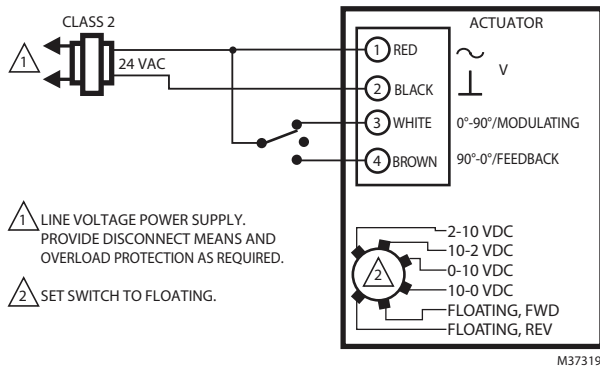


Fig. 15. MS7505 with Floating Control.

- 1 LINE VOLTAGE POWER SUPPLY. PROVIDE DISCONNECT MEANS AND OVERLOAD PROTECTION AS REQUIRED.
- 2 24 VDC SUPPLY ACCEPTABLE.
- 3 SET SWITCH TO MODULATING IF AVAILABLE.

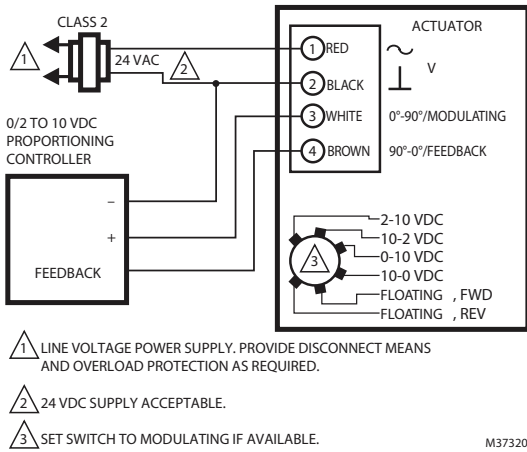


Fig. 16. MS7103 with 2-10 Vdc Control (MS7503 shown, ignore selection switch).

- 1 LINE VOLTAGE POWER SUPPLY. PROVIDE DISCONNECT MEANS AND OVERLOAD PROTECTION AS REQUIRED.
- 2 24 VDC SUPPLY ACCEPTABLE.
- 3 SET SWITCH TO MODULATING IF AVAILABLE.

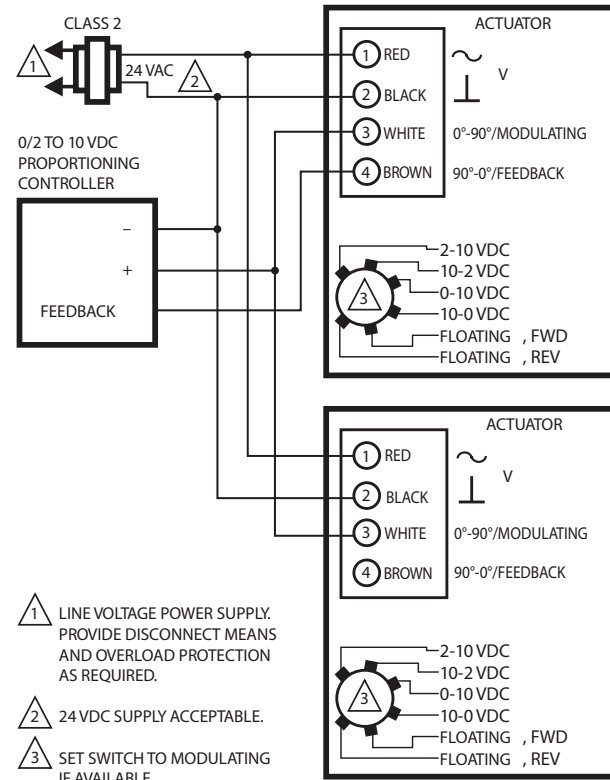
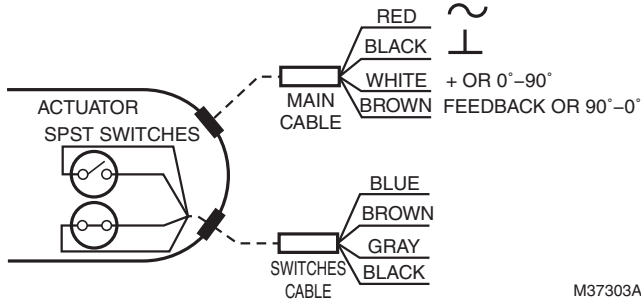
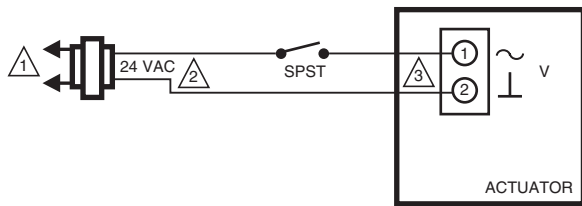


Fig. 18. MS7103 with 2-10 Vdc Control using two actuators (MS7503 shown, ignore selection switch).



M37303A

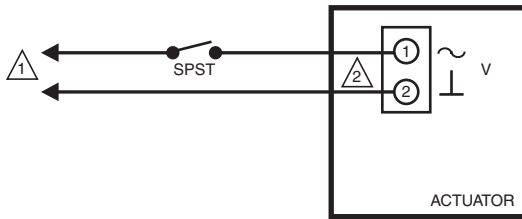
Fig. 19. Wiring for MS7103 and MS3103 Auxiliary Switches. Gray/Black = Normally Open. Closed in range 80 degrees to Fully Open. Blue/Brown = Normally Closed. Open in range 10 degrees to Fully Open.



1 LINE VOLTAGE POWER SUPPLY. PROVIDE DISCONNECT MEANS AND OVERLOAD PROTECTION AS REQUIRED.

2 24 VDC SUPPLY ACCEPTABLE.

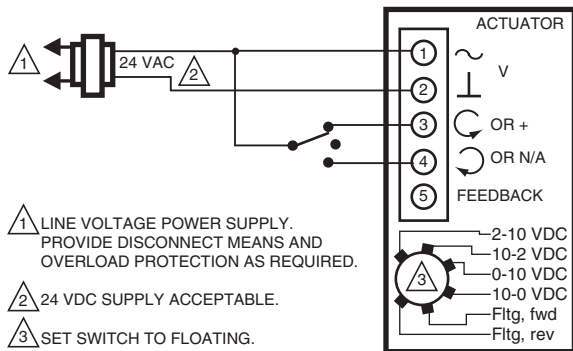
M34973



1 LINE VOLTAGE POWER SUPPLY. PROVIDE DISCONNECT MEANS AND OVERLOAD PROTECTION AS REQUIRED.

M34974

Fig. 20. MS8105 with Two Position SPDT Control.



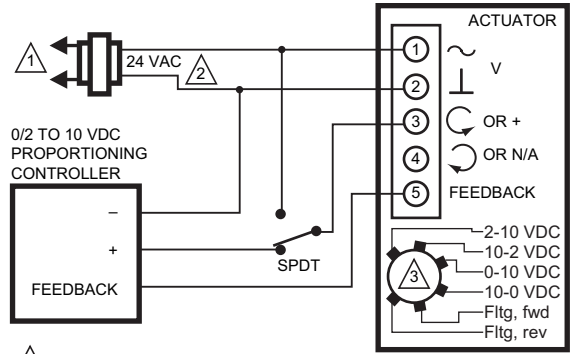
1 LINE VOLTAGE POWER SUPPLY. PROVIDE DISCONNECT MEANS AND OVERLOAD PROTECTION AS REQUIRED.

2 24 VDC SUPPLY ACCEPTABLE.

3 SET SWITCH TO FLOATING.

M34975

Fig. 21. MS7505 with Floating Control.



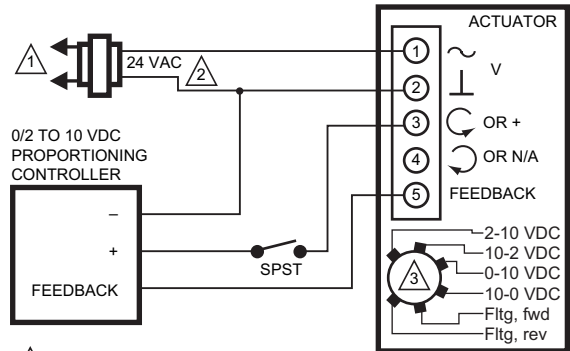
1 LINE VOLTAGE POWER SUPPLY. PROVIDE DISCONNECT MEANS AND OVERLOAD PROTECTION AS REQUIRED.

2 24 VDC SUPPLY ACCEPTABLE.

3 SET SWITCH TO MODULATING.

M19576A

Fig. 22. MS7505 with override to full open.



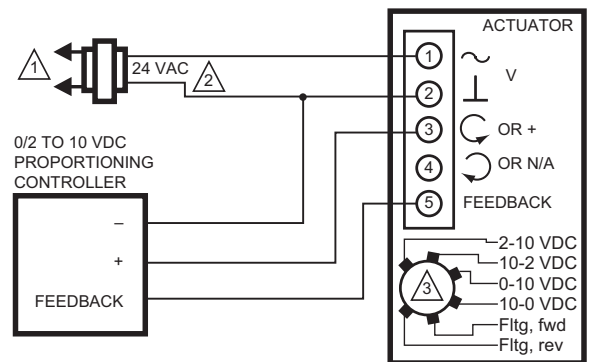
1 LINE VOLTAGE POWER SUPPLY. PROVIDE DISCONNECT MEANS AND OVERLOAD PROTECTION AS REQUIRED.

2 24 VDC SUPPLY ACCEPTABLE.

3 SET SWITCH TO MODULATING.

M19577A

Fig. 23. MS7505 with override to full closed.



1 LINE VOLTAGE POWER SUPPLY. PROVIDE DISCONNECT MEANS AND OVERLOAD PROTECTION AS REQUIRED.

2 24 VDC SUPPLY ACCEPTABLE.

3 SET SWITCH TO MODULATING.

M34976

Fig. 24. MS7505 with 0(2)-10 Vdc Controllers.

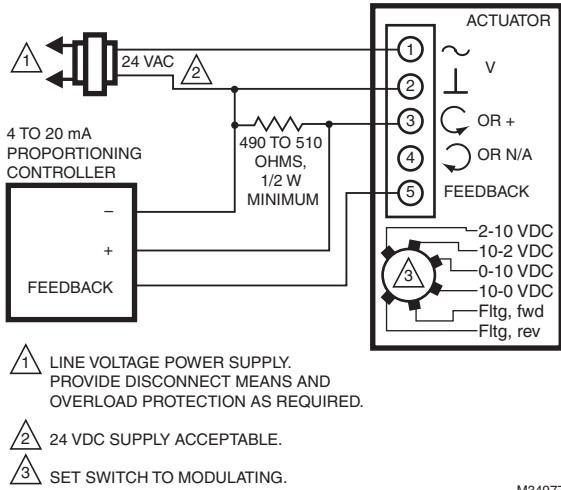


Fig. 25. MS7505 with 4-20mA Controllers.

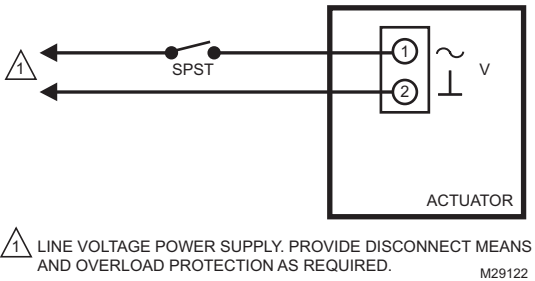


Fig. 26. MS4105 with 120 Vac Two Position SPDT control.

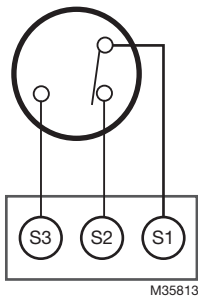


Fig. 27. Wiring for MS4105, MS7505, and MS8105 models with aux./end switches.

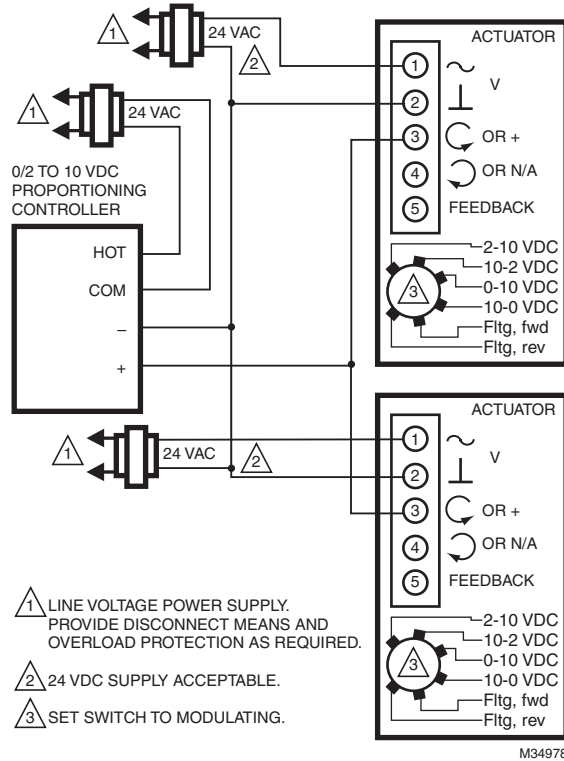


Fig. 28. MS7505 with 0(2)-10 Vdc controller operating multiple actuators.

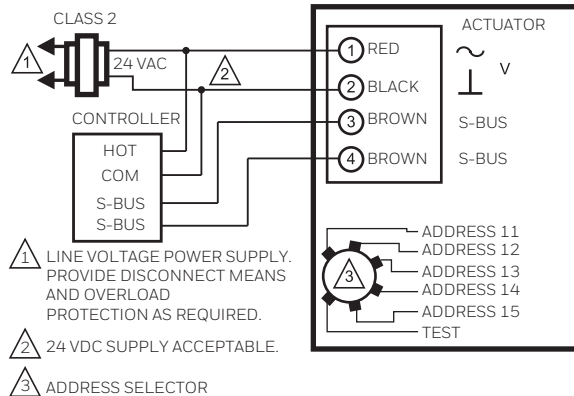


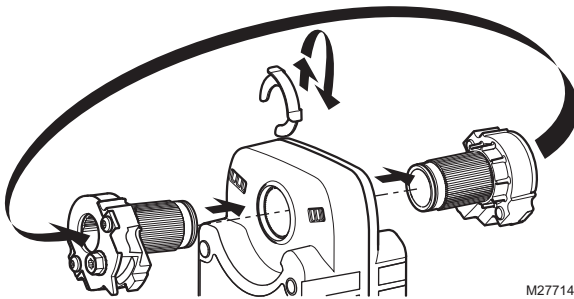
Fig. 29. MS3103 with Sylk Bus control.

OPERATION AND CHECKOUT

Once both the mechanical and electrical installations are complete:

1. Cycle the actuator to verify that the direction of rotation suits the control sequence.
2. If the rotation direction is incorrect:
 - a. For 2-position and Sylk-enabled spring return actuators: Remove, flip over, and replace actuator on the bracket.
 - b. For floating control actuators: Reverse two control signal wires (CW/CCW), or change position of selector switch.

- c. For analog control actuators either:
 - (1) Change setting of reverse/direct-acting switch, or
 - (2) To change spring return direction: remove, flip over, and replace actuator on bracket.
- 3. If the control scheme requires fail-safe operation, ensure that, upon removal of power, the fail position coincides with the control sequence.
- 4. Spring return actuators are factory-configured for normally-closed, fail-safe operation on power loss. To change this action to normally-open, remove and reinstall the actuator in the opposite orientation as follows:
 - a. Loosen the shaft coupling bolt using a 10 mm wrench.
 - b. Loosen all other mounting bolts connecting the actuator to the mounting bracket, and set aside.
 - c. Remove the actuator from the valve shaft.
 - d. Move the Self-Centering Shaft Adaptor to the opposite side of the actuator, as displayed in Fig. 30.



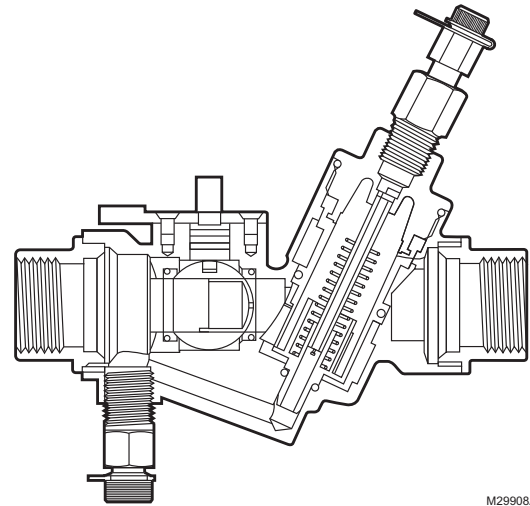
M27714

Fig. 30. Change actuator to normally open.

- (1) Remove the retainer clip from the Self-Centering Shaft Adapter and set it aside for later use.
- (2) Remove SCSA from actuator.
- (3) Reinstall SCSA on the opposite side of the actuator, aligning it based on the stroke labeling.
- (4) Replace the retainer clip on the shaft coupling using the groove of the coupling.
- e. Reconnect the actuator to the valve mounting bracket by replacing the screws previously removed (step b).
- f. Tighten the shaft coupling bolt using a 10 mm wrench or socket using maximum 120 lb-in torque.

Operation

P_{IN} changes constantly in a multi-zone system as other valves open and close, changing system flow and head pressure according to the characteristics of the supply pump curve. Reaction of the mechanical pressure regulator is instantaneous, eliminating changes in room temperature due to changes in fluid flow, and reducing the need for the control system to constantly operate the control portion of the valve to correct for the non-load related temperature changes that occur in a system with standard control valves.

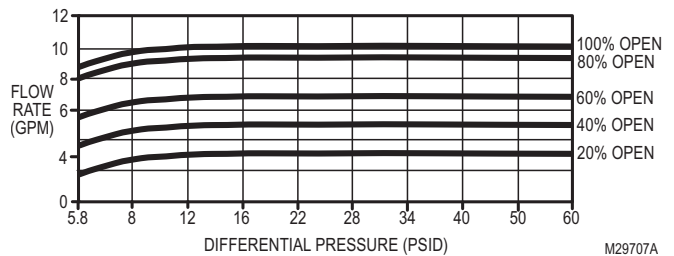


M29908A

Fig. 31. VRN2 cross section showing fitting, control ball, and pressure regulator.

At full flow in a 2-position control application, a VRN2 behaves as a flow limiter.

The pressure regulator takes a minimum pressure to operate, and has a maximum differential regulation capability. See Fig. 32. The high pressure drop across a VRN2 Valve is comparable to the pressure drop across a control valve and balancing valve in a conventional system design.



M29707A

Fig. 32. Pressure regulation, large body models.

SETTINGS AND ADJUSTMENTS

At the full open position, VRN2 valves will maintain flow in the loop. Flow rates are listed in the Specification Data form 62-3115EFS. Under steady state operation, the control system will only require the valve to open enough to satisfy load conditions. During morning recovery from night setback, the controller will usually command the valve to 100%. For optimum performance, choose only the next larger valve size needed to satisfy design load. Do not oversize valves—reduced rangeability and may result in less accurate temperature control.

Ball valves close between 10 and 15% of stroke, to ensure full seal engagement. If desired, modulating actuators can be set to 0-10 V response so that 2 V of a 2-10 V control signal more closely corresponds to minimum flow. The valve will still close with signal loss.

If desired, maximum flow may be trimmed to a lesser value in one of two ways:

1. With modulating actuator, limit span of control voltage issued by the building automation controller. Valves with flow control inserts have an equal percentage flow characteristic (See Fig. 33). Each 10% reduction in maximum control voltage will result in a 10% reduction in flow.

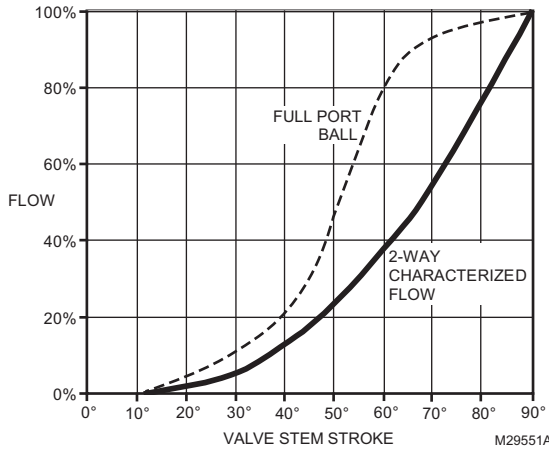


Fig. 33. Typical flow characteristics.

2. To mechanically limit stroke, set DCA to full open position. Loosen shaft coupling and rotate valve shaft to desired maximum flow position, as confirmed by pressure measurement across coil, using coil manufacturer's data. Retighten shaft coupling. Use Fig. 33 as a guide to setting actuator stroke.

If using mechanical adjustment technique with MN/MS7505 modulating actuators, the stroke auto-adaptation feature will automatically scale the 2-10 Vdc signal to the mechanical rotation of the ball. See actuator literature for details.

Coil flow can be confirmed by reading pressures at the coil inlet and coil outlet (not across control valve as with conventional balancing—this pressure drop will be constant), and using the manufacturer's data to calculate flow.

Note that the pressure regulator in this valve guarantees that the flow through the coil will not be affected by upstream changes in pressure. Unlike conventional balancing valves, it is not necessary to reconfirm coil flow after adjusting other valves. Any overflow during morning recovery due to oversized pressure regulated valves will not affect other valves in the system, provided pumps are capable of required flow.

Service and Repair

The valve stem can be replaced in-line, if necessary. See Fig. 34.

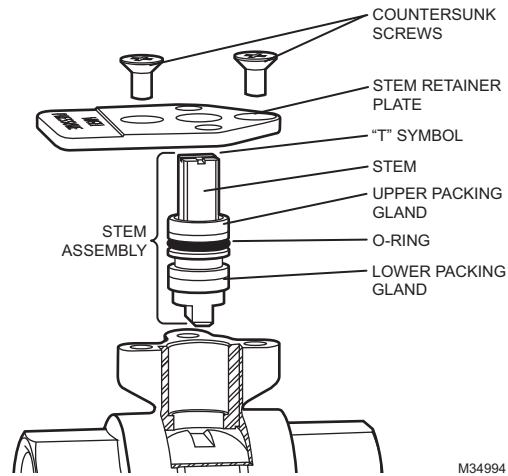


Fig. 34. Replacing the valve stem in-line.

Follow steps 1 to 6 of "Mounting Plate Adjustment" on page 3, then:

1. If the lower packing gland is stuck, remove it with gland removal tool or rubber-tipped dental tool.



CAUTION

Avoid scratching the inside of the valve neck.
This may cause a leak when re-assembled.

2. Carefully remove any fouling or corrosion from inside of valve.
3. Align arrow with short leg of "T" symbol on new stem assembly.

NOTE: "T" symbol will vary.

4. Insert the new stem assembly. Be sure to line up the stem key with the ball slot.
5. Fasten stem retainer high pressure plate to the valve using the new countersunk screws. Then fasten the mounting plate to the valve.
6. Repressurize valve and confirm stem does not leak before proceeding.
7. Slide the sub shaft over the stem with the tab oriented as shown in Fig. 34.
8. Replace the thermal break, shaft, and shaft cover. If shaft has come loose from thermal break, push firmly on end of shaft until blade in shaft snaps into thermal break.
9. Replace actuator and secure it to shaft and mounting plate.
10. Snap handle onto top of shaft.

Any other service to valve such as seat seal replacement requires removal of valve from piping.

By using this Honeywell literature, you agree that Honeywell will have no liability for any damages arising out of your use or modification to, the literature. You will defend and indemnify Honeywell, its affiliates and subsidiaries, from and against any liability, cost, or damages, including attorneys' fees, arising out of, or resulting from, any modification to the literature by you.

Honeywell Building Technologies

In the U.S.:

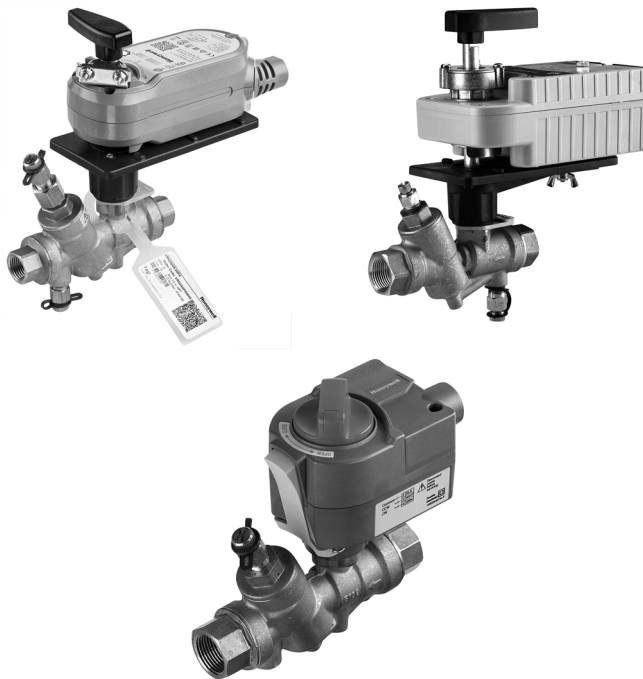
Honeywell

Honeywell

Honeywell

Clapets et actionneurs de régulation de pression dynamique VRN

NOTICE D'INSTALLATION



APPLICATION

Les clapets de régulation dynamique à deux voies VRN2 permettent de maintenir un débit constant d'eau chaude ou refroidie avec concentrations de glycol pouvant atteindre 50 % dans les circuits de chauffage, de ventilation et de climatisation (CVC) à boucle fermée, dans les plages de chute de pression de chaque numéro de modèle.

Ces clapets peuvent être commandés avec ou sans les actionneurs montés en usine.

Notes d'application

Le dimensionnement des clapets est important pour que le système fonctionne correctement. Les clapets trop petits n'ont pas une capacité suffisante pour la charge maximale. Les clapets trop grands n'ont pas une autorité suffisante sur la charge dans les applications à modulation.

Les clapets trop grands peuvent causer des cycles trop fréquents, et le siège et la bille peuvent être endommagés en raison de l'ouverture restreinte.

Utilisation correcte

Les clapets VRN sont uniquement conçus pour les circuits à boucle fermée d'eau chaude ou refroidie dans une plage de températures de 1,7 à 121 °C (35 à 250 °F) et à une pression maximale de 2 482 kPa (360 lb/po²).

L'eau doit être correctement filtrée, traitée et conditionnée pour fournir un bon rendement opérationnel, conformément aux recommandations des fabricants de chaudières et refroidisseurs.

Il est recommandé de poser des crépines et des filtres.

Ne pas utiliser avec des robinets d'équilibrage manuels.

IMPORTANT

La présence d'oxyde de fer (rouille rouge) en excès dans le système annule la garantie du clapet.

Débit efficace

Le régulateur de pression différentielle intégré assure l'écoulement du liquide dans le clapet sans égard aux changements de l'alimentation. Le régulateur de pression élimine virtuellement la cavitation dans le clapet, et libère le régulateur des effets des organes de tuyauterie, tels que les réducteurs et les coudes.

Les clapets indépendants de la pression sont dimensionnés pour convenir au débit du serpentin, peu importe son diamètre de raccordement. Les clapets VRN2 éliminent le besoin d'équilibrer le système pour assurer un débit adéquat et permettent d'utiliser les refroidisseurs à la température différentielle prévue lors de la conception pour une efficacité maximale dans toutes les conditions de charge. Lorsque le système est utilisé avec des entraînements de pompe à vitesse variable, des clapets à trois voies et des lignes de dérivation de serpentin ne sont pas requis.

Couple de fonctionnement requis

Les actionneurs à accouplement direct à maintien de position en cas de panne et à sécurité intégrée Honeywell peuvent être utilisés avec les clapets VRN.

Les clapets VRN utilisent un siège de conception brevetée qui réduit le couple requis de l'actionneur.

Actionneurs fournissant un couple de 305 Ncm (27 lb-po) (pour clapets jusqu'à 1,25 po de diamètre) et de 395 Ncm (35 lb-po) (pour les clapets de 1,5 po de diamètre et plus) qui suffit à fermer le clapet à son taux nominal. (Reportez-vous au Table 1.)

Couple de fonctionnement maximal sécuritaire : 500 Ncm (44 lb-po).

Tableau 1. Valeurs nominales de pression différentielle pour la fermeture.

Type de clapet	Taille de clapet	Pression de fermeture nominale (psi)
2 voies	1/2 po à 3 po	100

INSTALLATION

Lors de l'installation de ce produit...

1. Lire attentivement ces instructions. Le non-respect des instructions peut endommager le produit ou provoquer une situation dangereuse.
2. Vérifier les caractéristiques nominales indiquées dans les instructions et sur le produit, et s'assurer que celui-ci correspond bien à l'application prévue.
3. L'installateur doit être un technicien expérimenté ayant reçu la formation adéquate.
4. Une fois l'installation terminée, vérifier que le produit fonctionne comme indiqué dans ces instructions.

Préparation



MISE EN GARDE

Risque de dommages de l'équipement

Les particules étrangères telles que la poussière et les copeaux métalliques peuvent endommager les joints des billes.

Pour un fonctionnement sans problème du produit, les bonnes pratiques d'installation doivent inclure une vidange initiale du système et un traitement de l'eau chimique. Nettoyer les conduits en amont des particules d'un diamètre supérieur à 1/16 po (scories de soudage, dépôts calcaires de conduits, sable et autres particules en suspension). Il est recommandé d'utiliser un filtre en dérivation de 50 microns ou plus fin. Retirer tous les filtres avant de procéder à la vidange.

Ne pas utiliser d'additifs pour chaudières, de flux à soudure, ou de matériaux humides à base de pétrole ou qui contiennent des huiles minérales, des hydrocarbures ou du monoacétate d'éthylène glycol. Les composés qui peuvent être employés, dilués avec au moins la moitié d'eau, sont le diéthylène glycol, l'éthylène glycol et le propylène glycol (solutions antigel).

Si ces clapets sont installés dans un agrandissement ou pour la modernisation d'une installation existante, envisager la possibilité que le liquide présent dans la tuyauterie existante ne soit pas conforme à ces critères.

Installation mécanique

IMPORTANT

Tenir le clapet avec une clé à tuyau par le raccord hexagonal UNIQUEMENT. NE PAS tenir le clapet par le corps avec une clé à tuyau; ceci pourrait endommager le produit.

Les clapets ont un filetage NPT et doivent être étanchéifiés avec un produit d'étanchéité pour tuyauterie approuvé. Le couple ne doit pas dépasser 75 lb-pi.

Consulter la documentation de l'actionneur pour les dimensions de l'actionneur.

1. Nettoyer les conduits en amont des particules d'un diamètre supérieur à 1/16 po (scories de soudage, dépôts calcaires de conduits et autres contaminants).
2. Procéder à l'installation une fois que les spécifications du système (expansion/contraction du système et du fluide, et pressions de fonctionnement) sont dans les tolérances indiquées.
3. Éliminer l'air du système.
4. Les clapets à sont marqués pour montrer la direction du débit.

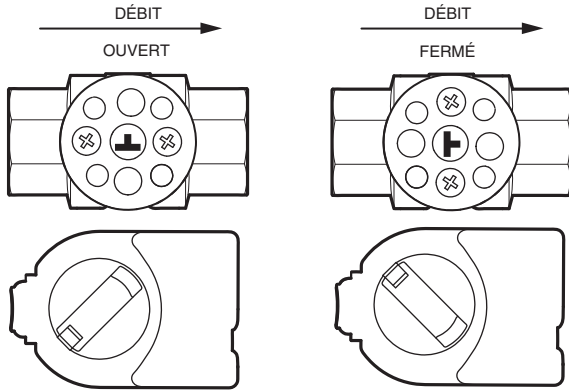
IMPORTANT

Les flèches de débit doivent pointer dans la direction du débit pour assurer un fonctionnement adéquat.

5. Rotation de la tige :
 - a. Sens horaire pour fermer.
 - b. Sens antihoraire pour ouvrir.

REMARQUE : Une fois les clapets installés dans la tuyauterie, l'installateur peut déterminer l'orientation de la bille dans le clapet grâce aux encoches en haut de la tige du clapet. Pour les clapets VRN, la direction longitudinale de l'encoche indique un débit par la bille (c'est-à-dire que lorsque l'encoche est parallèle à l'axe du clapet entre les ports A et B, la bille permet le débit par le clapet).

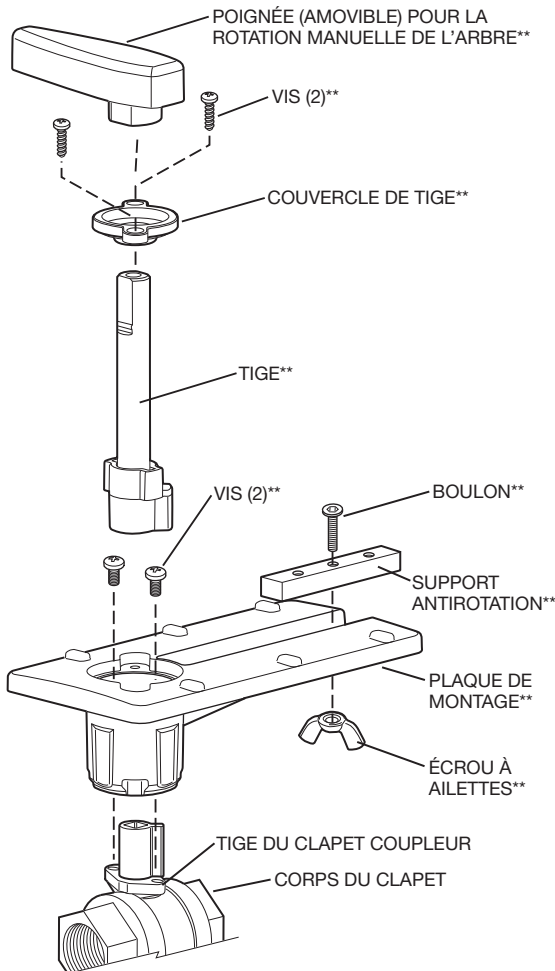
6. Le clapet doit être monté avec l'actionneur/support au-dessus du corps du clapet. Ne pas installer le clapet avec la tige sous l'horizontale ou inversée. (Voir les Fig. 3 et 4.)



REMARQUES : POUR MONTER L'ACTIONNEUR SUR UN CLAPET OUVERT, TOURNER COMPLÈTEMENT L'ACTIONNEUR DANS LE SENS ANTIHORAIRE COMME ILL POUR MONTER L'ACTIONNEUR SUR UN CLAPET FERMÉ, TOURNER COMPLÈTEMENT L'ACTIONNEUR DANS LE SENS HORAIRE COMME ILLUSTR

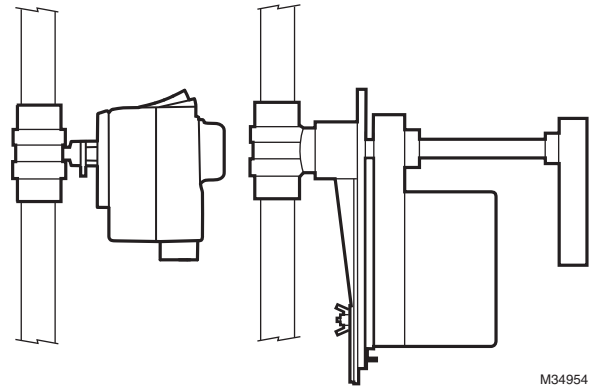
MF34979

Fig. 1. Orientation du clapet.



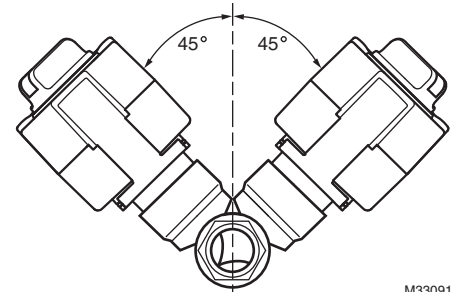
**INCLUS DANS LE NÉCESSAIRE DE RECHANGE (RÉF. N° 5112-11)
MF13738A

Fig. 2. Vue éclatée du clapet.



M34954

Fig. 3. Installation verticale du clapet.



M33091

Fig. 4. Angle de clapet acceptable par rapport à la verticale

Ajustement de la plaque de montage

La plaque de montage de l'actionneur peut être tournée à une position différente pour les installations en espace réduit. Ceci s'accomplit de la façon suivante :

1. Retirer la poignée de l'arbre et la mettre de côté.
2. Retirer les deux vis fixant la tige à la plaque de montage et les mettre de côté.
3. Retirer la tige et la mettre de côté.
4. Retirer les deux vis fixant la plaque de montage au clapet et les mettre de côté.
5. Retirer la bague de retenue de la plaque de montage et la mettre de côté.
6. Faire tourner la plaque de montage autour de la partie supérieure du clapet à la position désirée.

REMARQUE : Noter la position des trous de vis sur le clapet. Ils limitent les positions de la plaque de montage.

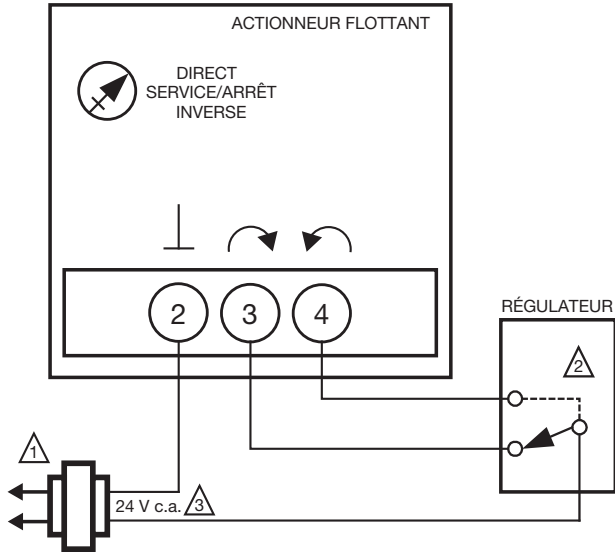
7. Abaisser la bague sur le corps du clapet et l'engager dans la nouvelle position par rapport à la plaque de montage.
8. Serrer les vis du corps du clapet fixant la plaque de montage.
9. Rattacher la tige à la plaque de montage.
10. Si cela est souhaité, replacer la poignée sur l'arbre.

REMARQUE : Voir la Fig. 2 pour la vue éclatée du clapet.

Installation électrique

1. Si nécessaire, retirer le couvercle de câblage de l'actionneur.
2. Câbler l'actionneur en consultant les Fig. 5 à 28 pour l'application requise.
3. Replacer le couvercle.

Câblage

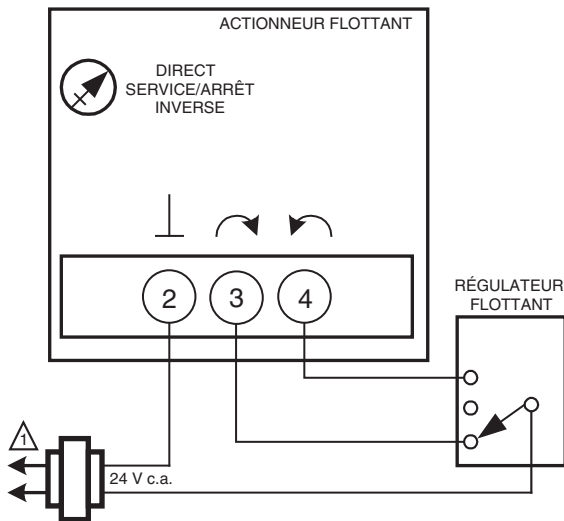


⚠️ ALIMENTATION. PLACER SI NÉCESSAIRE UN DISPOSITIF DE COUPURE ET UNE PROTECTION CONTRE LES SURCHARGES.

⚠️ CONNEXION REQUISE POUR COMMANDE UNIPOLAIRE BIDIRECTIONNELLE.

MF34869B

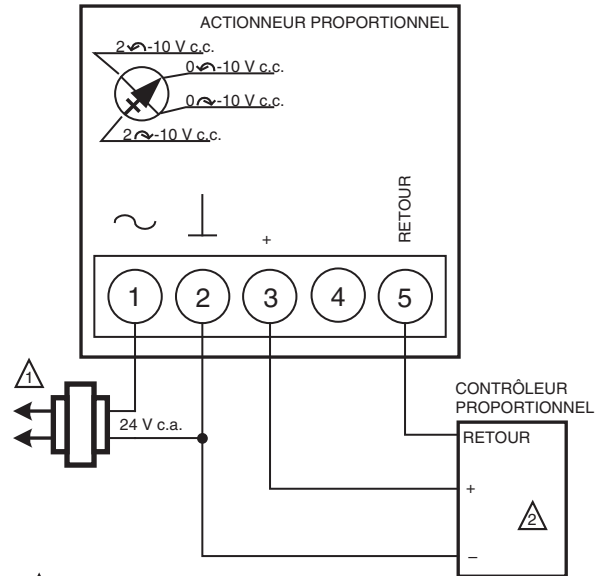
Fig. 5. MN6105 avec commande SPDT marche/arrêt.



⚠️ ALIMENTATION. PLACER SI NÉCESSAIRE UN DISPOSITIF DE COUPURE ET UNE PROTECTION CONTRE LES SURCHARGES.

MF18946

Fig. 6. MN6105 avec commande flottante.



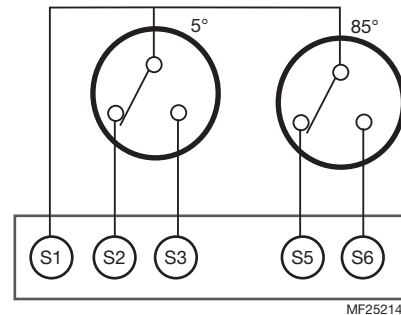
⚠️ ALIMENTATION. PLACER SI NÉCESSAIRE UN DISPOSITIF DE COUPURE ET UNE PROTECTION CONTRE LES SURCHARGES.

⚠️ SIGNAL DE COMMANDE 0(2)-10 V c.c. OU 0(4)-20 mA ACCEPTABLE. RÉGLER LE COMMUTATEUR DIP DU SIGNAL DE COMMANDE SUR ARRÊT POUR LA TENSION ET SUR MARCHÉ POUR LE COURANT.

MF18947B

Fig. 7. MN7505 avec commande 0(2)-10 V CC.

INTERRUPTEURS D'EXTRÉMITÉ (CLASSE II UNIQUEMENT)



MF25214A

Fig. 8. Câblage pour modèles MN6105 et MN7505 avec contacteurs aux./de fin de course.

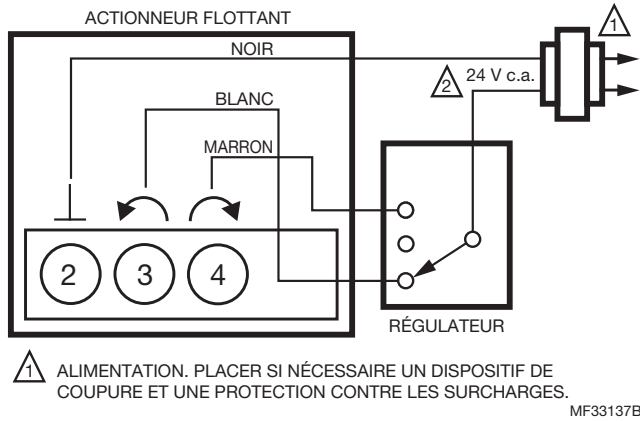


Fig. 9. MVN613 avec commande flottante

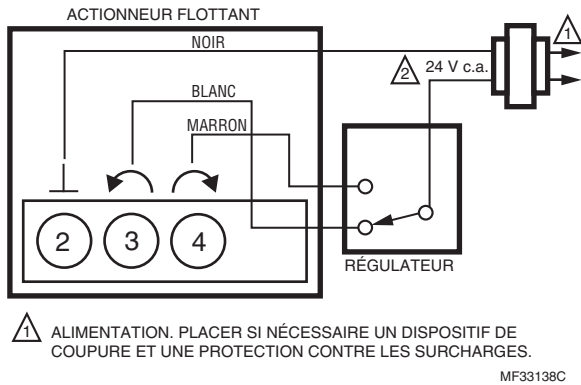


Fig. 10. MVN613 ou MVN643 à commande SPDT à deux positions.

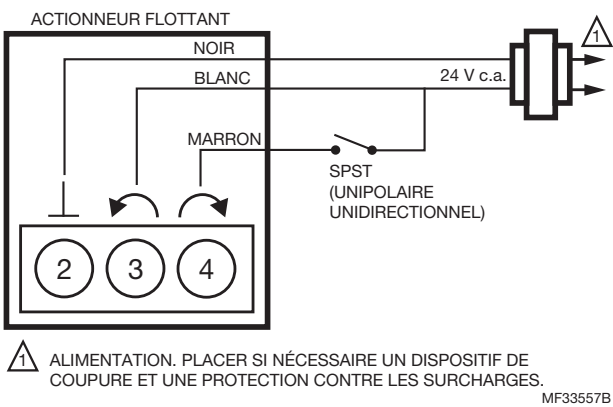


Fig. 11. MVN643 avec commande unipolaire unidirectionnelle à deux positions.

PROPORTIONNEL/MODULATION : SORTIE DE RÉGULATEUR 4-20mA AVEC RÉSISTANCE 500 Ω

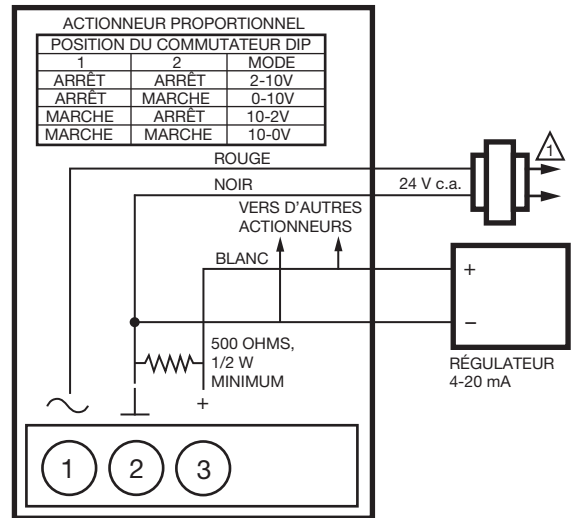


Fig. 12. MVN713 avec régulateur 4-20mA.

PROPORTIONNEL/MODULATION : SORTIE DE CONTRÔLEUR 0(2)...10 V c.c. OU 10...0(2) V c.c.

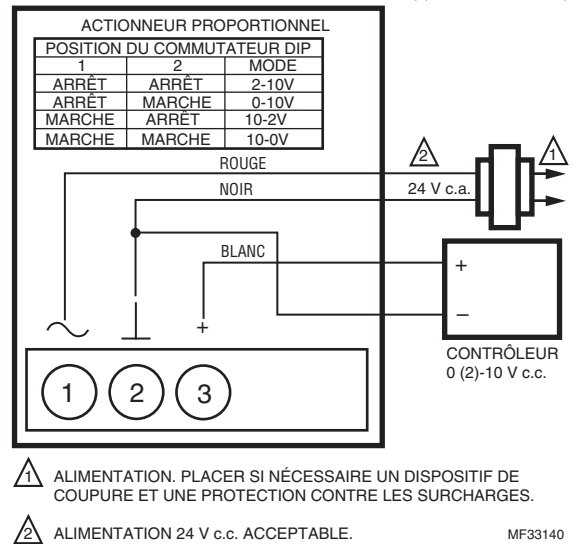


Fig. 13. MVN713 avec régulateur 0(2)-10 V c.c.

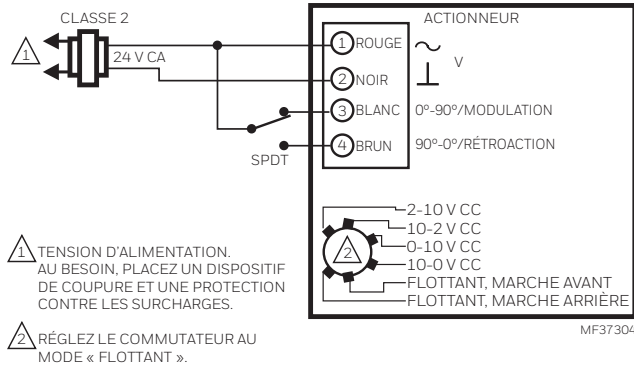


Fig. 14. MS7505 à commande SPDT à deux positions.

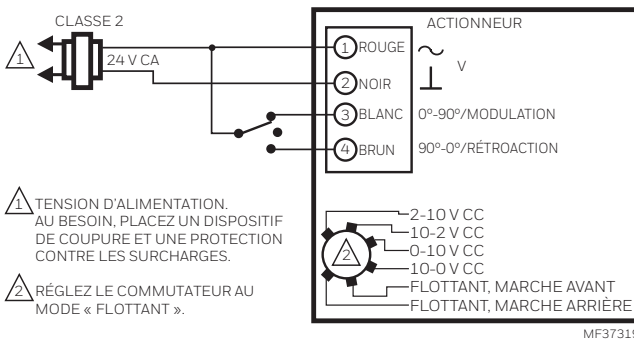


Fig. 15. MS7505 à commande à flotteur.

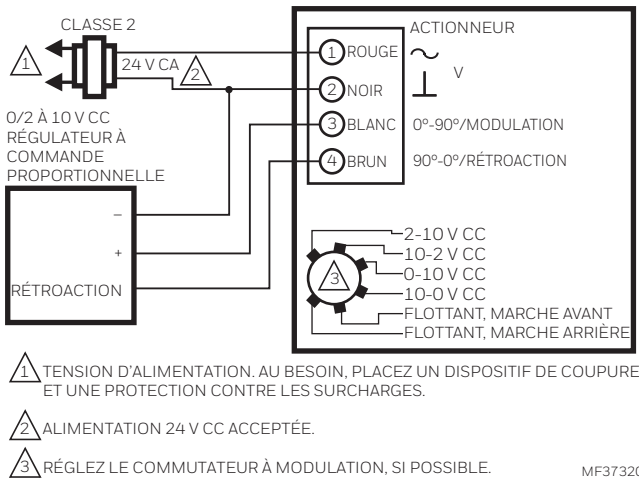


Fig. 16. MS7103 avec commande 2-10 V CC (MS7503 montré, ignorez le sélecteur).

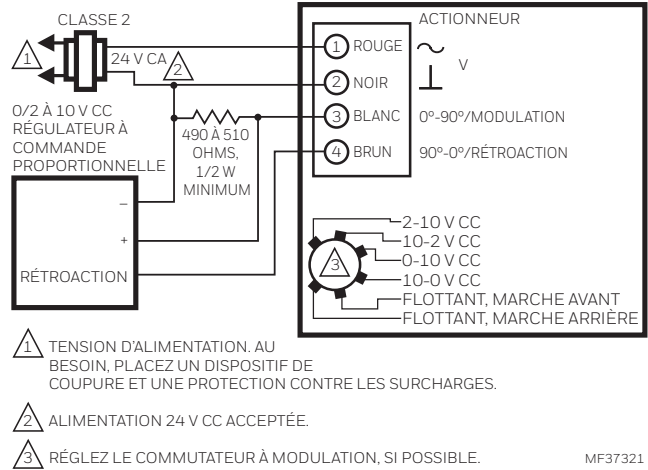


Fig. 17. MS7103 avec commande 4-20 mA (MS7503 montré, ignorez le sélecteur).

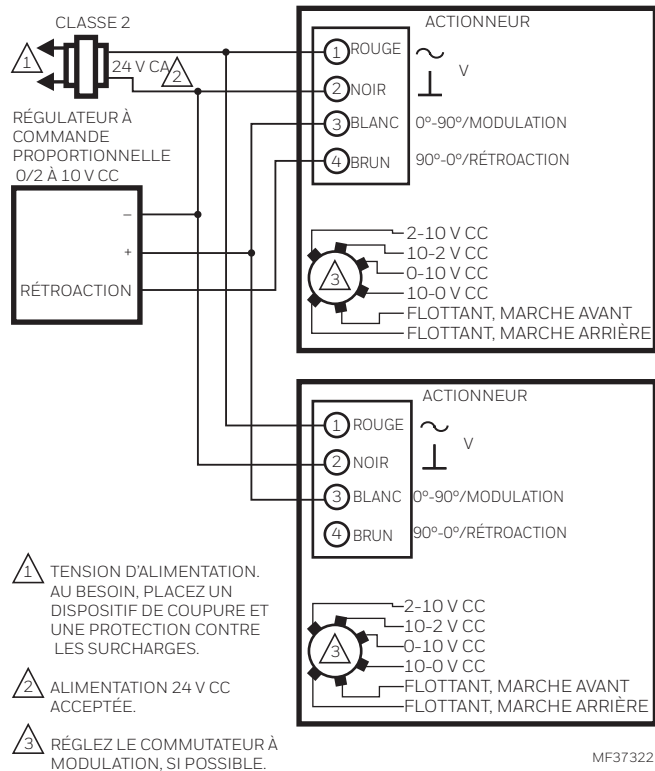
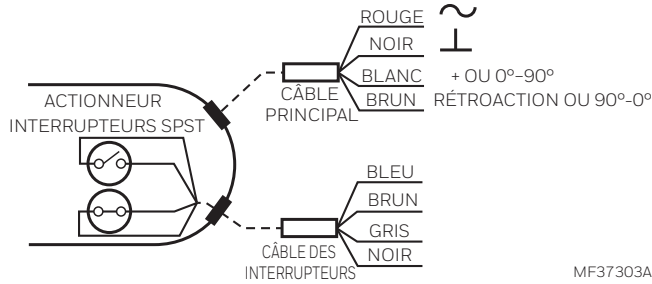
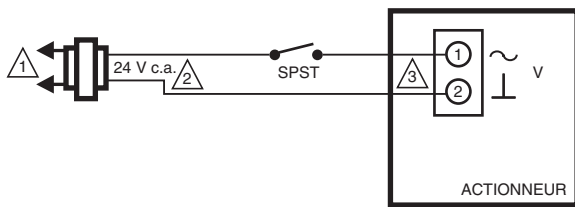


Fig. 18. MS7103 avec commande 2-10 V CC utilisant deux actionneurs (MS7503 montré, ignorez le sélecteur).



MF37303A

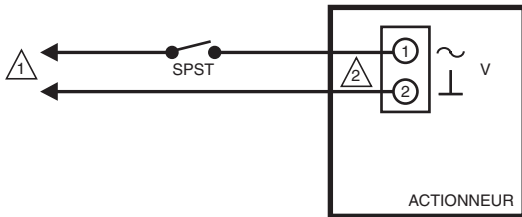
Fig. 19. Câblage pour interrupteurs auxiliaires MS7103 et MS3103). Gray/Black = Normally Open. Closed in range 80 degrees to Fully Open. Blue/Brown = Normally Closed. Open in range 10 degrees to Fully Open.



1 ALIMENTATION SECTEUR. PLACER SI NÉCESSAIRE UN DISPOSITIF DE COUPURE ET UNE PROTECTION CONTRE LES SURCHARGES.

2 ALIMENTATION 24 V c.c. ACCEPTABLE.

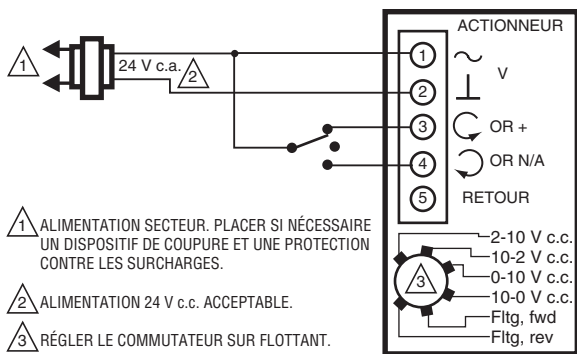
MF34973



1 ALIMENTATION SECTEUR. PLACER SI NÉCESSAIRE UN DISPOSITIF DE COUPURE ET UNE PROTECTION CONTRE LES SURCHARGES.

MF34974

Fig. 20. MS8105 à commande SPST à deux positions.



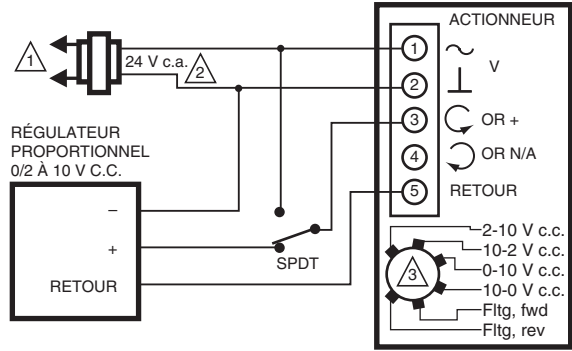
1 ALIMENTATION SECTEUR. PLACER SI NÉCESSAIRE UN DISPOSITIF DE COUPURE ET UNE PROTECTION CONTRE LES SURCHARGES.

2 ALIMENTATION 24 V c.c. ACCEPTABLE.

3 RÉGLER LE COMMUTEUR SUR FLOTTANT.

MF34975

Fig. 21. MS7505 pour action flottante.



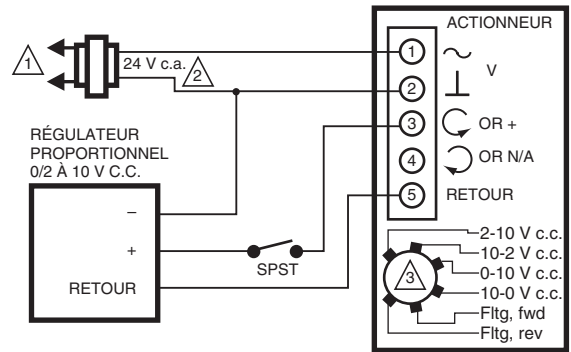
1 ALIMENTATION SECTEUR. PLACER SI NÉCESSAIRE UN DISPOSITIF DE COUPURE ET UNE PROTECTION CONTRE LES SURCHARGES.

2 ALIMENTATION 24 V c.c. ACCEPTABLE.

3 RÉGLER LE COMMUTEUR SUR MODULANT.

MF19576

Fig. 22. MS7505 avec dérivation pour ouverture complète.



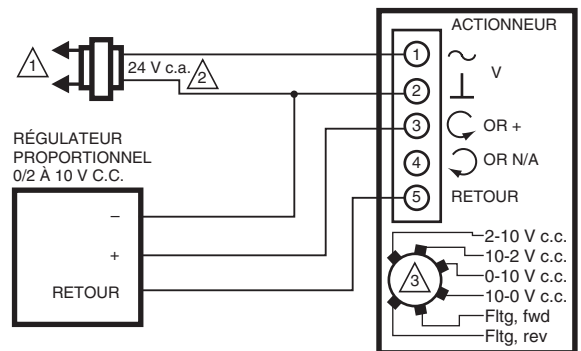
1 ALIMENTATION SECTEUR. PLACER SI NÉCESSAIRE UN DISPOSITIF DE COUPURE ET UNE PROTECTION CONTRE LES SURCHARGES.

2 ALIMENTATION 24 V c.c. ACCEPTABLE.

3 RÉGLER LE COMMUTEUR SUR MODULANT.

MF19577

Fig. 23. MS7505 avec dérivation pour fermeture complète.



1 ALIMENTATION SECTEUR. PLACER SI NÉCESSAIRE UN DISPOSITIF DE COUPURE ET UNE PROTECTION CONTRE LES SURCHARGES.

2 ALIMENTATION 24 V c.c. ACCEPTABLE.

3 RÉGLER LE COMMUTEUR SUR MODULANT.

MF34976

Fig. 24. MS7505 avec régulateurs 0(2)-10 V CC.

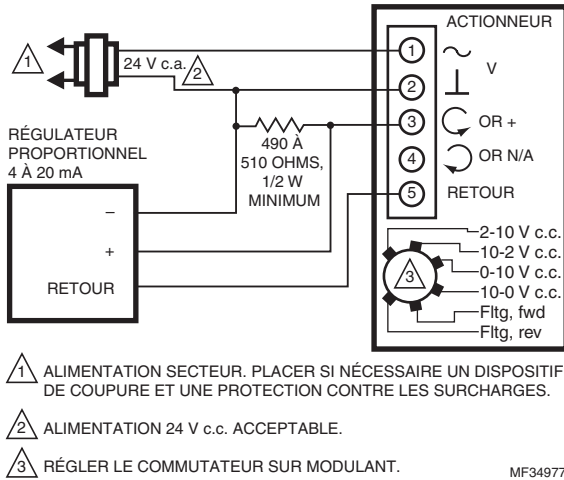


Fig. 25. MS7505 avec régulateurs 4-20 mA.

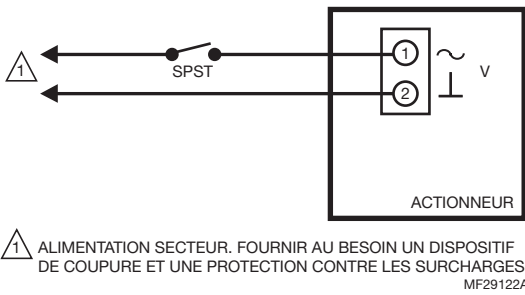


Fig. 26. MS4105 à commande SPDT 120 V CA à deux positions.

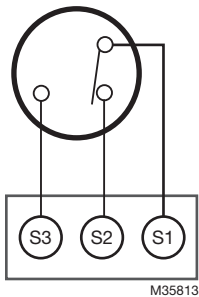


Fig. 27. Câblage pour les modèles avec interrupteurs d'extrémité/auxiliaire.

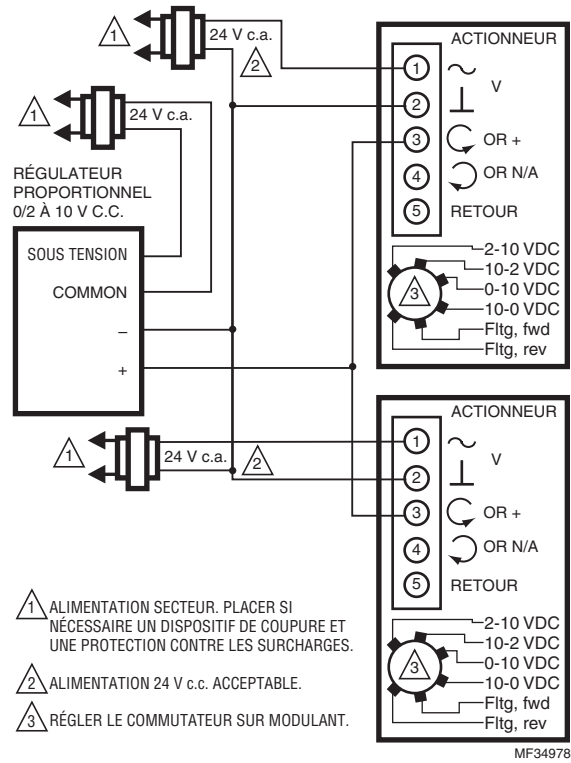


Fig. 28. MS7505 avec régulateur 0(2)-10 V CC actionnant plusieurs actionneurs.

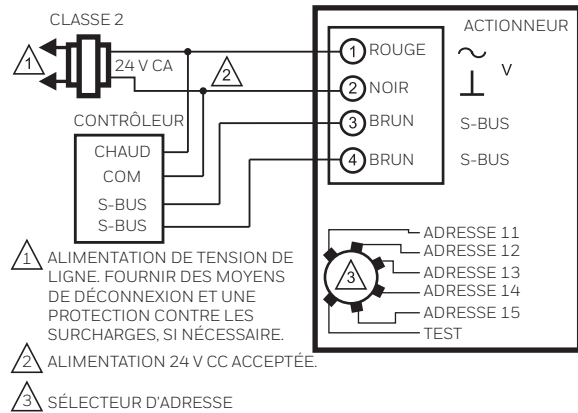


Fig. 29. MS3103 with Sylk Bus control.

FUNCTIONNEMENT ET VÉRIFICATION

Une fois les installations mécanique et électrique terminées :

1. Actionner l'actionneur pour vérifier que le sens de rotation correspond à la séquence de commande.
2. Si le sens de rotation est incorrect :
 - a. For 2-position and Syk-enabled spring return actuators : Retirer, inverser et replacer l'actionneur sur le support.
 - b. Pour les actionneurs de commande flottants : Inverser les deux fils de signal de commande (sens horaire/antihoraire) ou modifier la position de la commande du sélecteur.
 - c. Pour les actionneurs analogiques :
 - (1) Modifier le réglage de l'interrupteur à action directe/inverse, ou
 - (2) Pour changer le sens du ressort de rappel : déposer, inverser et poser l'actionneur de nouveau sur le support.
3. Si la configuration de commande nécessite un fonctionnement avec sécurité intégrée, s'assurer que la position de sécurité coïncide avec la séquence de commande lors de l'interruption de l'alimentation.
4. Les actionneurs à ressort de rappel sont configurés en usine pour un fonctionnement normalement fermé à sécurité intégrée lors des coupures d'alimentation. Pour changer cette action pour un fonctionnement en position normalement ouvert, retirer et réinstaller l'actionneur dans le sens opposé de la façon suivante :
 - a. Desserrer le boulon d'accouplement de l'arbre avec une clé de 10 mm.
 - b. Desserrer tous les autres boulons de montage connectant l'actionneur au support de montage et les mettre de côté.
 - c. Retirer l'actionneur de l'arbre du clapet.
 - d. Déplacer l'adaptateur d'arbre à centrage automatique du côté opposé à l'actionneur, comme illustré dans la Fig. 30.

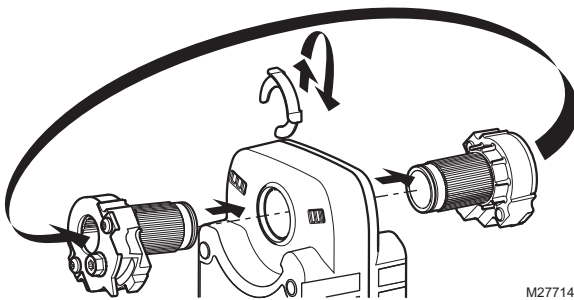


Fig. 30. Placer l'actionneur en position normalement ouvert.

- (1) Retirer l'attache de fixation de l'adaptateur d'arbre à centrage automatique et la mettre de côté pour une utilisation ultérieure.
- (2) Retirer l'adaptateur d'arbre à centrage automatique de l'actionneur.
- (3) Reposer l'adaptateur d'arbre à centrage automatique du côté opposé de l'actionneur en l'alignant conformément à l'étiquetage de course.
- (4) Replacer l'attache de fixation sur l'accouplement de l'arbre en utilisant la rainure de l'accouplement.
- e. Reconnecter l'actionneur au support de montage du clapet en remplaçant les vis précédemment déposées (étape b).
- f. À l'aide d'une clé ou d'une douille de 10 mm, serrez fermement le boulon d'accouplement d'arbre à un couple de 13,6 Nm (120 lb-po).

Functionnement

P_{IN} change constamment dans un système multi-zones lors de l'ouverture et de la fermeture d'autres clapets, modifiant le débit et la pression de refoulement du système conformément aux caractéristiques de la courbe de la pompe d'alimentation. La réaction du régulateur de pression mécanique est instantanée, éliminant les modifications de température de la pièce dus aux changements de débit de liquide, et réduisant la nécessité d'un fonctionnement continu du système de commande du clapet pour corriger les changements de température non liés à la charge se produisant dans les systèmes avec clapets de commande standard.

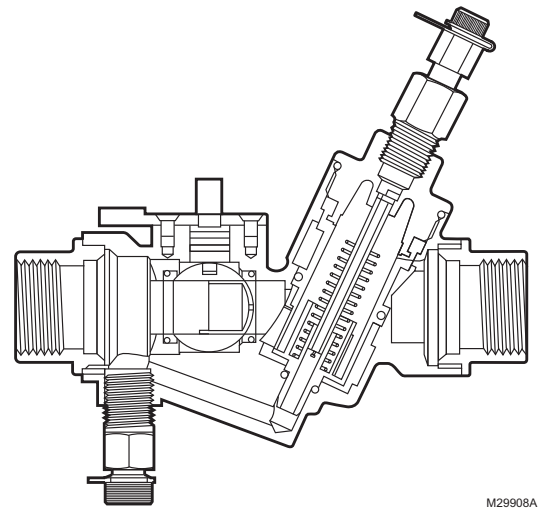


Fig. 31. VRN2 Vue en coupe du VRN2 illustrant le raccord, la bille de contrôle et le régulateur de pression.

Pour une application à commande à deux positions à plein débit, le VRN2 agit comme un limiteur de débit.

Le régulateur de débit ne nécessite qu'une pression minimale pour fonctionner, et a une capacité de régulation différentielle maximale. Consulter la Fig. 32. La chute de pression élevée d'un clapet VRN2 est comparable à la chute de pression d'un régulateur et d'un clapet d'équilibrage d'un système conventionnel.

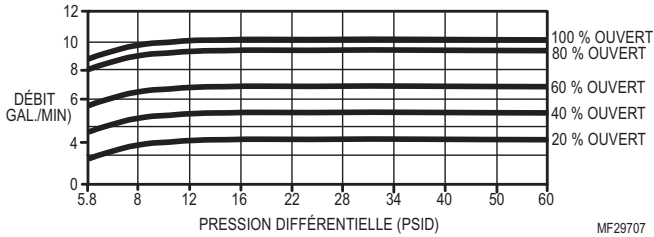


Fig. 32. Régulation de pression, modèles à grand corps.

RÉGLAGES ET AJUSTEMENTS

En position d'ouverture complète, les clapets VRN2 maintiennent le débit dans la boucle. Les débits sont indiqués dans le document de spécifications 62-3115EFS. En fonctionnement stable, le système de commande ne requiert qu'une ouverture du clapet suffisante pour répondre aux conditions de charge. Lors de la récupération matinale du décalage de nuit, le contrôleur commande généralement le clapet à 100 %. Pour une performance optimale, ne choisir que la taille de clapet immédiatement supérieure pour satisfaire à la charge de conception. Ne pas utiliser de clapets trop grands : une gamme réduite pourrait entraîner une régulation de température moins précise.

Les clapets à bille se ferment entre 10 et 15 % de leur course pour assurer un engagement complet du dispositif d'étanchéité. Le cas échéant, les actionneurs modulateurs peuvent être réglés à une réponse de 0-10 V pour que les 2 V d'un signal de commande de 2-10 V assurent une meilleure correspondance au débit minimum. Le clapet continuera à se fermer en cas de perte de signal.

Le cas échéant, le débit maximum peut être ajusté à une valeur moindre de l'une des deux façons suivantes :

1. Avec l'actionneur modulant, limiter la plage de tension de commande du contrôleur d'automatisation de bâtiment. Les clapets avec inserts de commande de débit ont des caractéristiques d'égal pourcentage (voir la Fig. 33). Chaque réduction de 10 % de la tension de commande maximale entraîne une réduction de 10 % du débit.

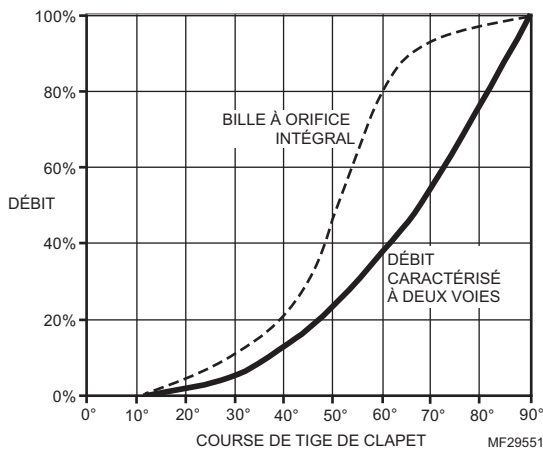


Fig. 33. Caractéristiques de débit types.

2. Pour limiter mécaniquement la course, régler l'actionneur à accouplement direct en position complètement ouverte. Desserrer l'accouplement de l'arbre et faire tourner l'arbre du clapet à la position de débit maximum désirée, telle que confirmée par la mesure de pression du serpentin, en utilisant les données du fabricant du serpentin. Resserrer l'accouplement de l'arbre. Utiliser la Fig. 33 comme guide de réglage de la course de l'actionneur.

Si une technique d'ajustement mécanique est utilisée avec les actionneurs modulateurs MN/MS7505, la fonction d'auto-adaptation de la course règle automatiquement le signal de 2-10 V c.c. en fonction de la rotation mécanique de la bille. Voir la documentation de l'actionneur pour les détails.

Le débit du serpentin peut être confirmé en lisant les pressions d'entrée et de sortie du serpentin (et non pas sur le régulateur comme c'est le cas avec un équilibrage traditionnel : cette chute de pression est constante) et en utilisant les données du fabricant pour calculer le débit.

Noter que le régulateur de pression de ce clapet garantit que le débit dans le serpentin ne sera pas affecté par les changements de pression en amont. Contrairement aux clapets d'équilibrage traditionnels, il n'est pas nécessaire de reconfirmer le débit du serpentin après le réglage d'autres clapets. Tout débit excessif ayant lieu lors de la récupération matinale dû à des régulateurs de pression surdimensionnés n'affecte pas les autres clapets du système, à condition que les pompes soient d'une capacité suffisante pour le débit requis.

Réparations et entretien

La tige de clapet peut être remplacée dans le système, si nécessaire. Voir la Fig. 34.

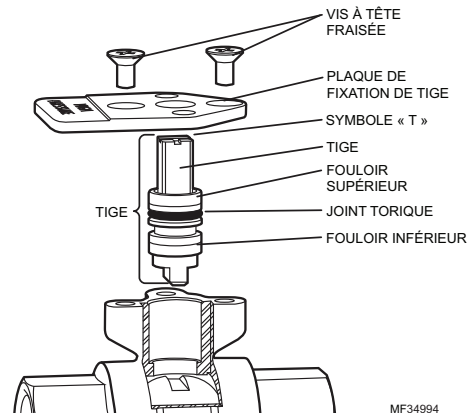


Fig. 34. Remplacement dans le système de la tige de clapet.

Suivre les étapes 1 à 6 de la section «Ajustement de la plaque de montage» à la page 3, puis :

1. Si le fouloir inférieur est coincé, le retirer avec un outil d'extraction de fouloir ou un outil dentaire à extrémité en caoutchouc.



MISE EN GARDE

Éviter d'érafler l'intérieur du cou du clapet.

Ceci pourrait causer une fuite lors du remontage.

2. Retirer avec précaution toute saleté ou corrosion à l'intérieur du clapet.
3. Aligner la flèche avec la patte courte du symbole « T » de la tige neuve.

REMARQUE : Le symbole « T » varie.

4. Insérer la tige neuve. Veiller à bien aligner la clavette de la tige avec la fente de la bille.
5. Attacher la plaque haute pression de fixation de la tige au clapet en utilisant les vis à tête fraisée neuves. Attacher ensuite la plaque de montage sur le clapet.
6. Remettre le clapet sous pression et vérifier que la tige ne fuit pas avant de continuer.

7. Glisser le sous-arbre sur la tige avec la languette orientée comme indiqué dans la Fig. 34.
8. Replacer le coupe-circuit thermique, l'arbre et le couvercle de l'arbre. Si l'arbre s'est desserré du disjoncteur thermique, pousser fermement sur l'extrémité de l'arbre jusqu'à ce que la lame dans l'arbre s'enclenche sur le coupe-circuit thermique.
9. Remplacer l'actionneur et l'attacher à l'arbre et à la plaque de montage.
10. Enclencher la poignée sur la partie supérieure de l'arbre.

Tout autre entretien du clapet, tel que le remplacement du joint de siège, nécessite le retrait du clapet de la tuyauterie.

Par l'utilisation de la présente documentation Honeywell, vous consentez à ce qu'Honeywell ne possède aucune responsabilité pour tous dommages résultant de votre utilisation ou modification de ladite documentation. Vous défendrez et indemniserez Honeywell, ses sociétés affiliées, filiales pour et contre toute responsabilité, frais ou dommages, y compris les honoraires d'avocats, résultant de quelque manière, ou survenant en connexion avec toute modification à la documentation de votre part.

Honeywell Building Technologies

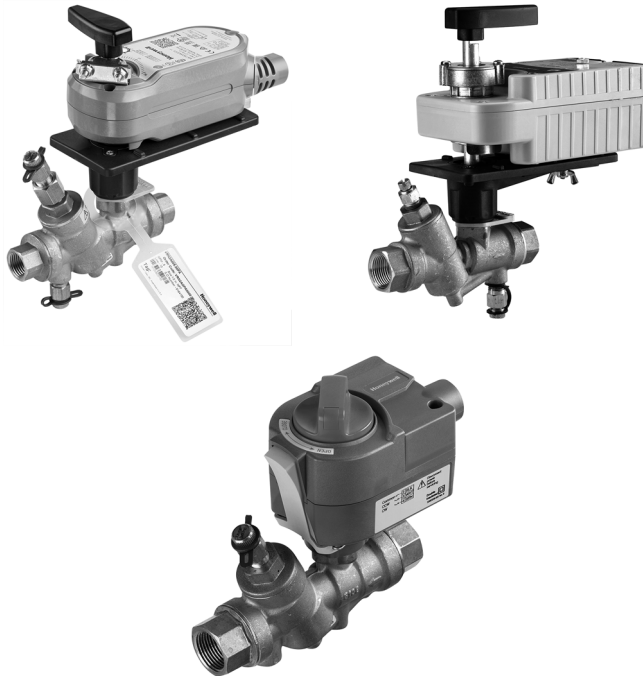
Aux États-Unis :

Honeywell

Honeywell

Válvulas de control y actuadores VRN con regulación de presión dinámica

INSTRUCCIONES PARA LA INSTALACIÓN



APLICACIÓN

Las válvulas de control bidireccionales VRN2 con regulación de presión dinámica mantienen el flujo constante de agua caliente y fría con soluciones de glicol de hasta el 50 % en sistemas de calefacción, ventilación y aire acondicionado de circuito cerrado, dentro de los rangos de variación de presión especificados de cada número de modelo.

Estos ensambles de válvula se pueden pedir con o sin actuadores de montaje en fábrica.

Notas sobre la aplicación

El tamaño de la válvula es importante para el funcionamiento adecuado del sistema. Las válvulas de menor tamaño no tienen suficiente capacidad a la carga máxima. Las válvulas de mayor tamaño no tienen suficiente control sobre la carga en aplicaciones modulantes.

Las válvulas de mayor tamaño pueden ocasionar ciclos excesivos y el asiento y la bola se pueden dañar debido a la abertura restringida.

Uso correcto

Las válvulas VRN están diseñadas para usar solamente en aplicaciones de circuito cerrado de agua fría y caliente, con un rango de temperatura de 35 °F a 250 °F (2 °C a 120 °C) y presiones de 360 psig (25 kg/cm²).

El agua debe estar bien filtrada, tratada y acondicionada para un buen rendimiento operativo, y de acuerdo con las recomendaciones del fabricante de la caldera o del enfriador.

Se recomienda la instalación de tamices y filtros.

No utilizar con válvulas de equilibrado manual.

IMPORTANTE

La presencia de óxido de hierro (oxidación de color rojo) en exceso en el sistema anula la garantía de la válvula.

Caudal efectivo

El regulador de presión diferencial incorporado hace fluir el líquido a través de la válvula, independientemente de los cambios de presión de suministro. El regulador de presión prácticamente elimina la cavitación en la válvula y libera la válvula de control de los efectos de los componentes de la tubería, como los reductores y los codos.

Las válvulas de control independientes de presión están diseñadas para adaptarse al flujo de diseño en el serpentín, independientemente del tamaño del serpentín. Con las válvulas VRN2 no es necesario compensar el sistema para obtener un flujo adecuado, ya que permiten hacer funcionar los enfriadores según el diferencial de temperatura de diseño a fin de obtener una eficacia máxima en cualquier condición de carga. Cuando las usa en un sistema con impulsores de bomba de velocidad variable, las válvulas de 3 vías y las líneas con derivación de serpentín no son necesarias.

Par de torsión operativo necesario

Tanto los actuadores de acoplamiento directo de poco par de torsión a prueba de fallas como de falla en la posición de Honeywell se pueden utilizar con las válvulas VRN.

Las válvulas VRN utilizan un diseño de asiento patentado que disminuye el par de torsión necesario del actuador.

Los actuadores con un par de torsión de 27 lb-in (3 Nm) (para válvulas de hasta 1-1/4" [32 mm] de tamaño) y 35 lb-in (4 Nm) (para válvulas mayores de 1-1/2" [38 mm] de tamaño) ofrecen par de torsión suficiente para operar la válvula en el cierre nominal. (Consulte la Table 1).

El par de torsión máximo para una operación segura es 44 lb-in (5 Nm).

Tabla 1. Especificaciones de cierre-apagado, presión diferencial.

Tipo de válvula	Tamaño de la válvula	Especificación de presión de cierre-apagado (psi)
2 vías	1/2 in. a 3 in.	100

INSTALACIÓN

Cuando instale este producto...

1. Lea detenidamente estas instrucciones. De no seguirlas, se podría dañar el producto o provocar una situación peligrosa.
2. Revise los valores nominales especificados en las instrucciones y en el producto, para asegurarse que el producto sea adecuado para la aplicación.
3. El instalador debe ser un técnico de servicio capacitado y experimentado.
4. Después de terminar la instalación, compruebe el funcionamiento del producto tal como se indica en estas instrucciones.

Preparación



PRECAUCIÓN

Riesgo de daño en el equipo

Las partículas extrañas, como los restos de metal y la suciedad, pueden dañar los sellos de la bola.

Para que el producto funcione sin complicaciones, el proceso de instalación adecuado debe incluir el drenado inicial del sistema y el tratamiento químico del agua. Limpie los conductos de manera ascendente para quitar partículas de más de 1/16 in (1.6 mm) de diámetro (escorias de soldadura, sarro en las tuberías, arena y otras partículas suspendidas). Se sugiere utilizar un filtro de corriente lateral para el sistema de 50 micrones (o más fino). Retire todos los filtros antes de realizar el drenaje.

No emplee aditivos para calderas, fundente para soldar ni materiales húmedos a base de petróleo o que contengan aceites minerales, hidrocarburos o acetato de etilenglicol. Los compuestos que se pueden utilizar, con un mínimo de 50% de disolución en agua, son: dietilenglicol, etilenglicol y propilenglicol (soluciones anticongelantes).

Si instala estas válvulas en la ampliación o modernización de un edificio existente, no dé por hecho que el líquido en las tuberías existentes cumple con estos requisitos.

Instalación mecánica

IMPORTANTE:

Sujete la válvula con una llave para tubería por el conector hexagonal ÚNICAMENTE. NO manipule el cuerpo de la válvula con la llave para tubería; el producto se puede dañar.

Las válvulas se rosca en el conector NPT y se deben sellar con un sellador aprobado para tuberías. La fuerza de torsión no debe exceder 75 lb-pies.

Consulte los documentos del actuador para conocer las dimensiones del actuador.

1. Limpie los conductos de manera ascendente para quitar partículas de más de 1/16 in (1.6 mm) de diámetro (escorias de soldadura, sarro en las tuberías y otros agentes contaminantes).
2. Continúe con la instalación una vez que las condiciones específicas del sistema (expansión/contracción del sistema y su medio, así como también las presiones de funcionamiento) estén dentro de las tolerancias.
3. Elimine el aire del sistema.
4. Las válvulas están marcadas para mostrar la dirección del flujo.

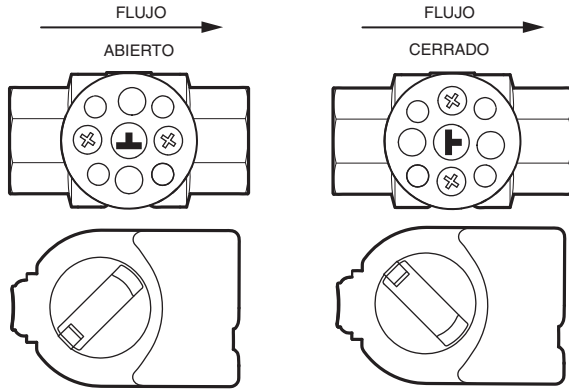
IMPORTANTE

Las flechas del flujo deben estar orientadas en la dirección del flujo para un funcionamiento correcto.

5. Rotación del vástago:
 - a. En sentido horario para cerrar.
 - b. En sentido antihorario para abrir.

NOTA: Después de instalar las válvulas en las tuberías, el instalador puede determinar la orientación de la bola dentro de la válvula por las muescas que se encuentran en la parte superior del vástago de la válvula. Para las válvulas VRN, la dirección en sentido longitudinal de la muesca indica el flujo a través de la bola (es decir, cuando la muesca se encuentra paralela al eje de la válvula entre los puertos A y B, la bola permitirá el flujo a través de la válvula).

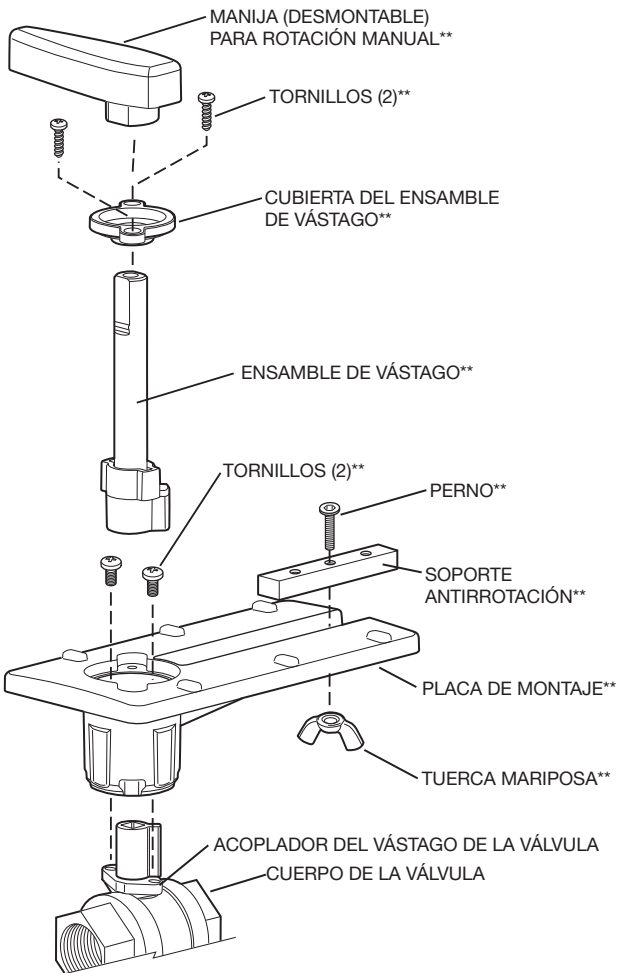
6. La válvula se debe montar con el actuador/soporte por encima del cuerpo de la válvula. No instale la válvula con el vástago por debajo de la línea horizontal o en forma invertida. (Consulte las Fig. 3 y 4).



NOTAS: PARA MONTAR EL ACTUADOR EN UNA VÁLVULA ABIERTA, GIRE EL ACTUADOR COMPLETAMENTE EN SENTIDO ANTIHORARIO COMO SE MUESTRA. PARA MONTAR EL ACTUADOR EN UNA VÁLVULA CERRADA, GIRE EL ACTUADOR COMPLETAMENTE EN SENTIDO HORARIO COMO SE MUESTRA.

MS34979

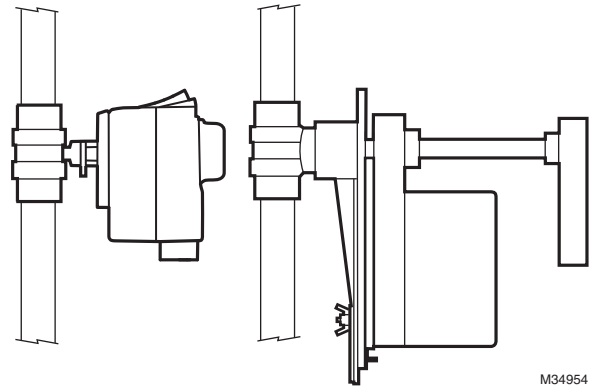
Fig. 1. Orientación de la válvula.



** INCLUIDOS EN EL KIT DE REEMPLAZO (PIEZA 5112-11).

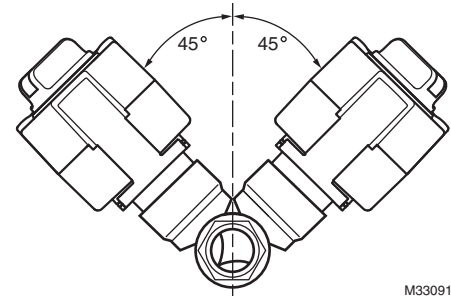
MS13738A

Fig. 2. Vista en despiece del ensamble de la válvula.



M34954

Fig. 3. Instalación vertical de la válvula.



M33091

Fig. 4. Ángulo aceptable de la válvula desde la línea vertical.

Ajuste de la placa de montaje

La placa de montaje del actuador se puede girar hacia una posición diferente para la instalación en espacios reducidos. Esto se realiza de la siguiente manera:

1. Quite la manija del eje y déjela a un lado.
2. Quite los dos tornillos que sujetan el ensamble del vástago a la placa de montaje y déjelos a un lado.
3. Quite y deje a un lado el ensamble del vástago.
4. Quite y deje a un lado los dos tornillos que sujetan la placa de montaje a la válvula.
5. Quite y aparte el aro de sujeción de la placa de montaje.
6. Gire la placa de montaje alrededor de la parte superior de la válvula a la posición deseada.

NOTA: Tenga en cuenta las posiciones de los agujeros para los tornillos en la válvula. Estos limitan las posiciones de la placa de montaje.

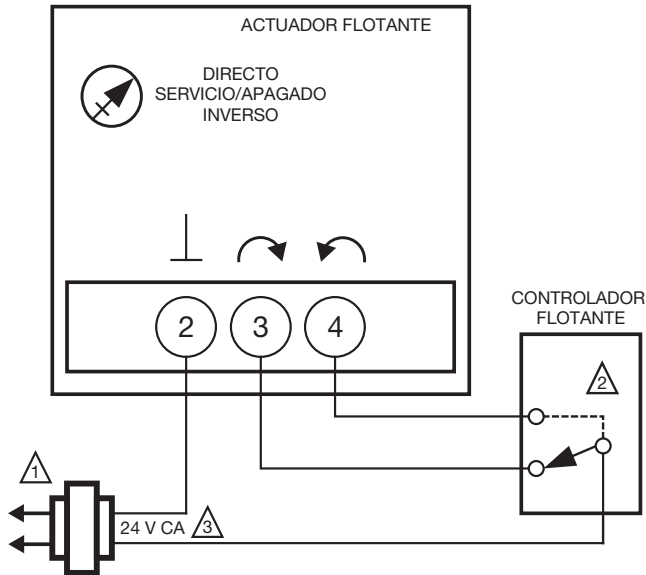
7. Baje el aro hasta el cuerpo de la válvula y engánchelo en la nueva posición con relación a la placa de montaje.
8. Apriete los tornillos al cuerpo de la válvula para fijar la placa de montaje.
9. Vuelva a fijar el ensamble del vástago a la placa de montaje.
10. Si lo desea, reemplace la manija en el eje.

NOTA: Consulte la Fig. 2 para ver la vista en despiece de la válvula.

Instalación eléctrica

1. Si fuera necesario, retire la cubierta del cableado del actuador.
2. Conecte el actuador usando las Figuras 5 a 28 como guía para la aplicación requerida.
3. Vuelva a colocar la cubierta.

Cableado

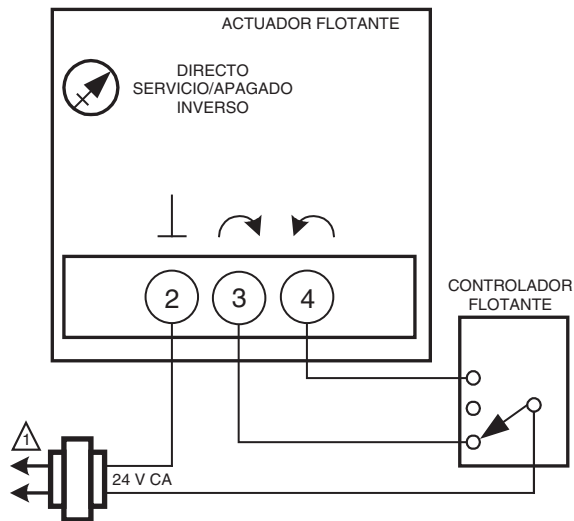


⚠️ SUMINISTRO ELÉCTRICO. PROPORCIONE LOS MEDIOS DE DESCONEXIÓN Y DE PROTECCIÓN CONTRA SOBRECARGAS SEGÚN SE REQUIERA.

⚠️ SE REQUIERE CONEXIÓN PARA CONTROL SPST.

MS34869B

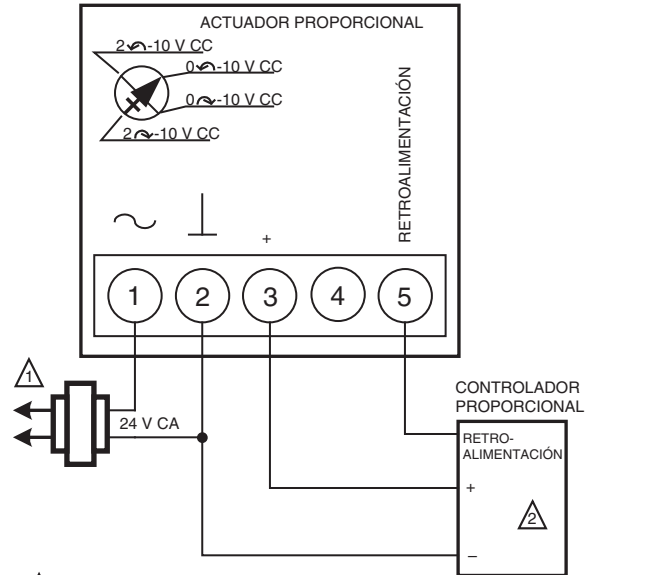
Fig. 5. MN6105 con control SPDT de encendido/apagado.



⚠️ SUMINISTRO ELÉCTRICO. PROPORCIONE LOS MEDIOS DE DESCONEXIÓN Y DE PROTECCIÓN CONTRA SOBRECARGAS SEGÚN SE REQUIERA.

MS18946

Fig. 6. MN6105 con control flotante.



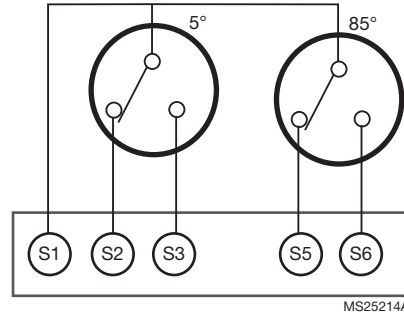
⚠️ SUMINISTRO ELÉCTRICO. PROPORCIONE LOS MEDIOS DE DESCONEXIÓN Y DE PROTECCIÓN CONTRA SOBRECARGAS SEGÚN SE REQUIERA.

⚠️ 0(2)-10 V CC DE 0(4)-20 mA SEÑAL DE CONTROL ACEPTABLE. CONFIGURE EL INTERRUPTOR DIP DE CONTROL DE SEÑAL EN "OFF" (APAGADO) PARA VOLTAJE. CONFIGURE EN "ON" (ENCENDIDO) PARA CORRIENTE.

MS18947B

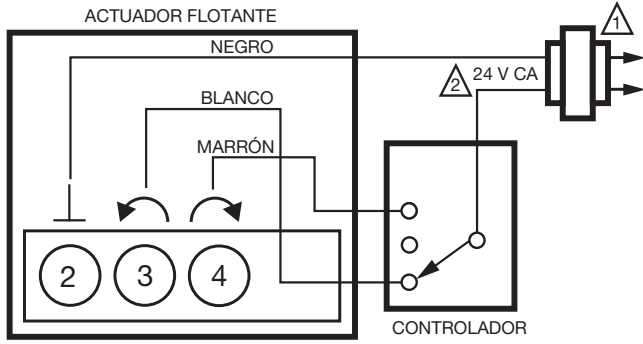
Fig. 7. MN7505 con control de 0(2)-10 V CC.

INTERRUPTORES TERMINALES (CLASE II ÚNICAMENTE)



MS25214A

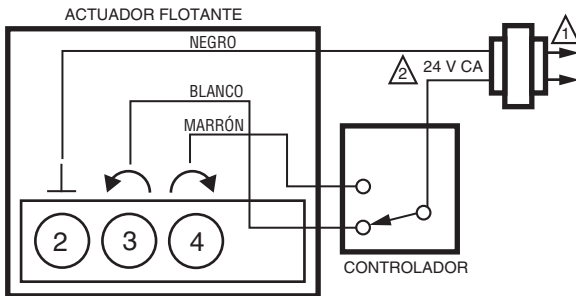
Fig. 8. Cableado para los modelos MN6105 y MN7505 con interruptores auxiliar/fin.



⚠️ SUMINISTRO ELÉCTRICO. PROPORCIONE LOS MEDIOS DE DESCONEXIÓN Y DE PROTECCIÓN CONTRA SOBRECARGAS SEGÚN SE REQUIERA.

MS33137B

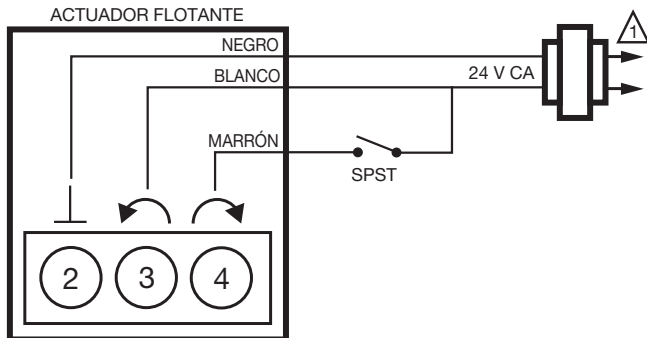
Fig. 9. MVN613 con control flotante.



⚠️ SUMINISTRO ELÉCTRICO. PROPORCIONE LOS MEDIOS DE DESCONEXIÓN Y DE PROTECCIÓN CONTRA SOBRECARGAS SEGÚN SE REQUIERA.

MS33138C

Fig. 10. MVN613 o MVN643 con control SPDT de dos posiciones.

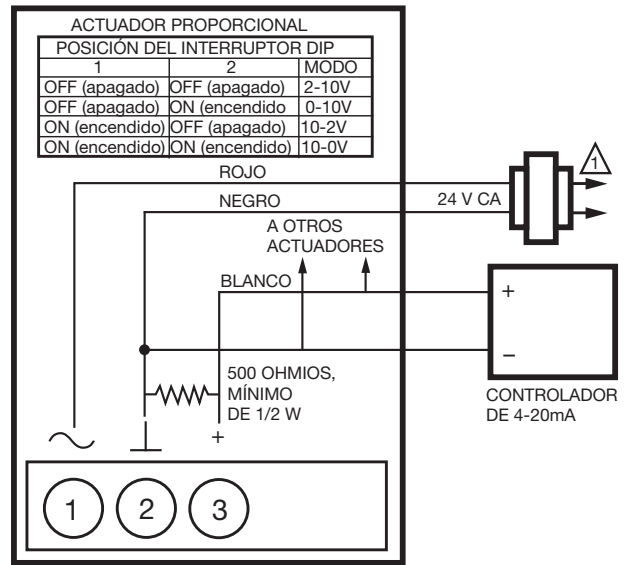


⚠️ FUENTE DE ALIMENTACIÓN. PROPORCIONE LOS MEDIOS DE DESCONEXIÓN Y DE PROTECCIÓN CONTRA SOBRECARGAS SEGÚN SE REQUIERA.

MS33557C

Fig. 11. MVN643 con control SPST de dos posiciones.

PROPORCIONAL/DE MODULACIÓN: SALIDA DEL CONTROLADOR DE 4-20 mA CON RESISTENCIA DE LA SERIE 500Ω

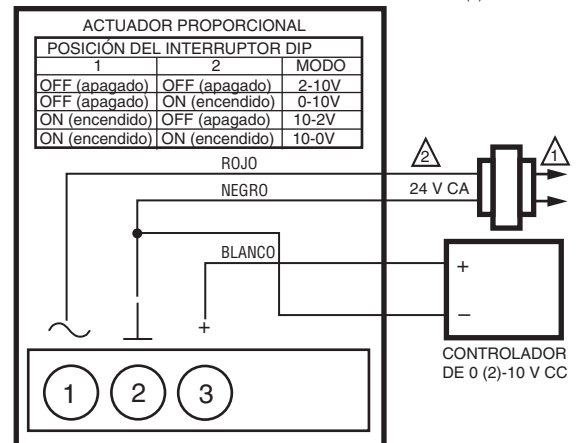


⚠️ SUMINISTRO ELÉCTRICO. PROPORCIONE LOS MEDIOS DE DESCONEXIÓN Y DE PROTECCIÓN CONTRA SOBRECARGAS SEGÚN SE REQUIERA.

MS33141B

Fig. 12. MVN713 con control de 4-20 mA.

PROPORCIONAL/DE MODULACIÓN: SALIDA DEL CONTROLADOR DE 0(2)...10 V CC O 10...0(2) V CC



⚠️ SUMINISTRO ELÉCTRICO. PROPORCIONE LOS MEDIOS DE DESCONEXIÓN Y DE PROTECCIÓN CONTRA SOBRECARGAS SEGÚN SE REQUIERA.

⚠️ SUMINISTRO ACEPTABLE: 24 V CC.

MS33140

Fig. 13. MVN713 con control de 0(2)-10 V CC.

VÁLVULAS DE CONTROL Y ACTUADORES VRN CON REGULACIÓN DE PRESIÓN DINÁMICA

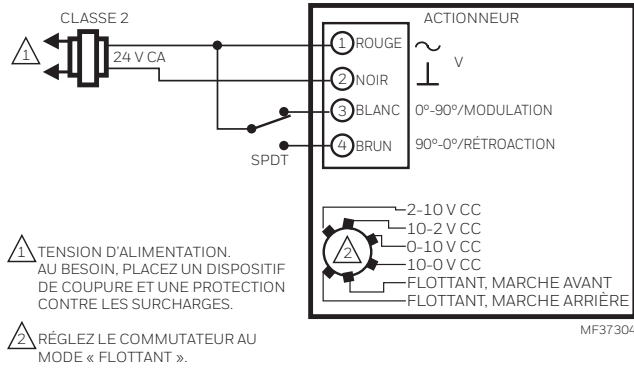


Fig. 14. MS7505 con control SPDT de dos posiciones.

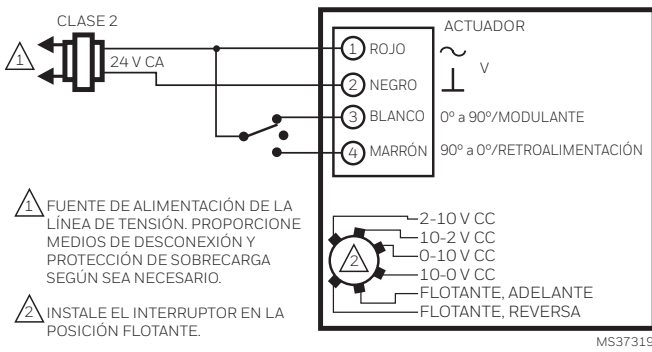


Fig. 15. MS7505 con control flotante.

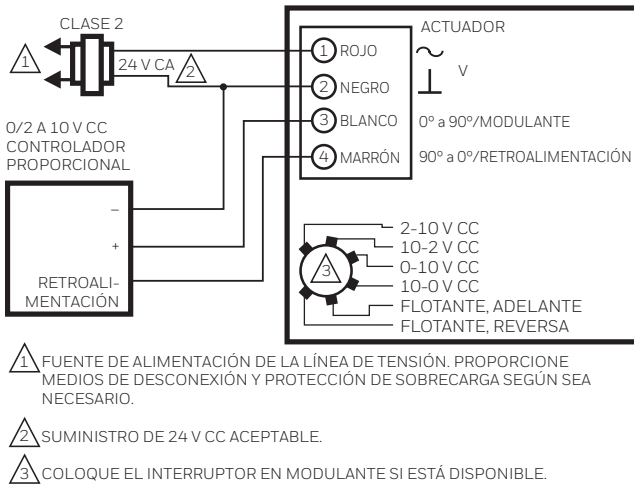


Fig. 16. MS7103 con control de 2-10 V CC (se muestra MS7503, ignore el interruptor de selección).

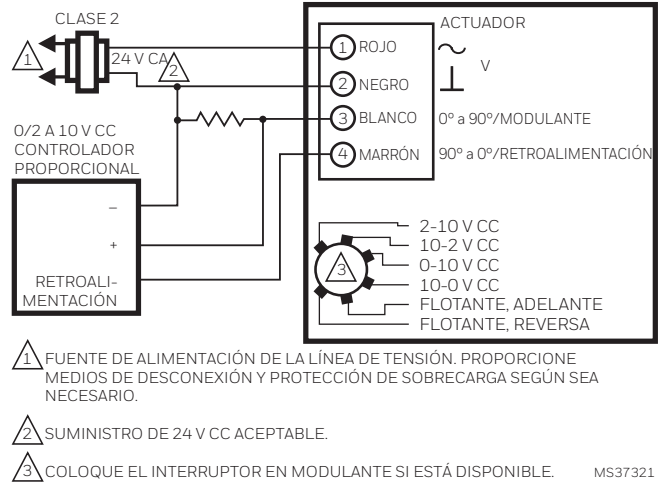


Fig. 17. MS7103 con control de 4-20 mA (se muestra MS7503, ignore el interruptor de selección).

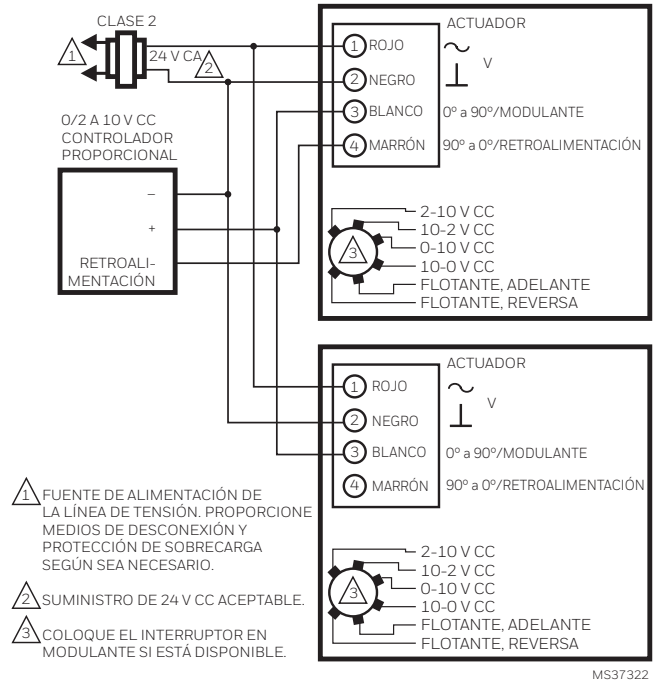


Fig. 18. MS7103 con control de 2-10 V CC que usa dos actuadores (se muestra MS7503, ignore el interruptor de selección).

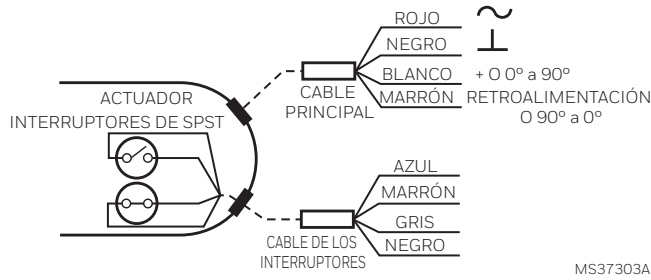


Fig. 19. Cableado para los interruptores auxiliares de MS7103 y MS3103. Gray/Black = Normally Open. Closed in range 80 degrees to Fully Open. Blue/Brown = Normally Closed. Open in range 10 degrees to Fully Open.

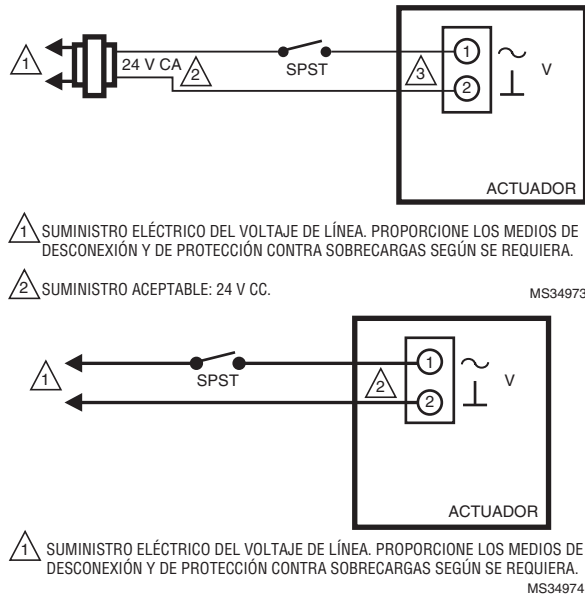


Fig. 20. MS8105 con control SPDT de dos posiciones.

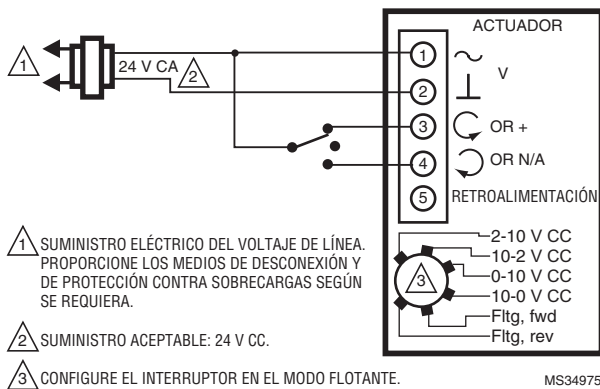


Fig. 21. MS7505 con control flotante.

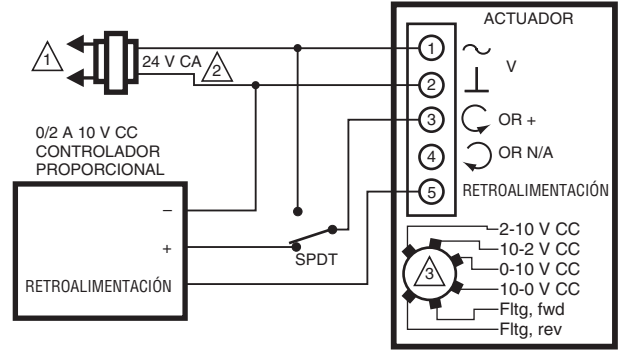


Fig. 22. MS7505 con control de sobrecomando para la posición completamente abierta.

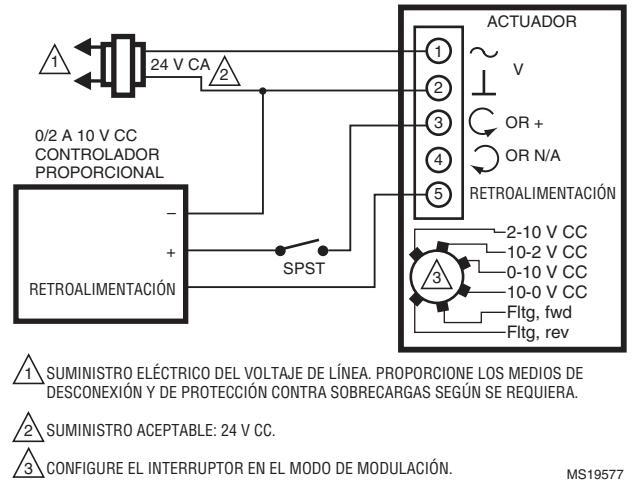


Fig. 23. MS7505 con control de sobrecomando para la posición completamente cerrada .

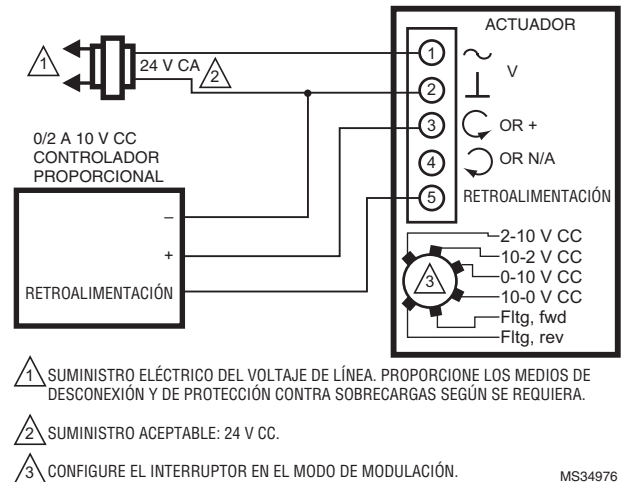
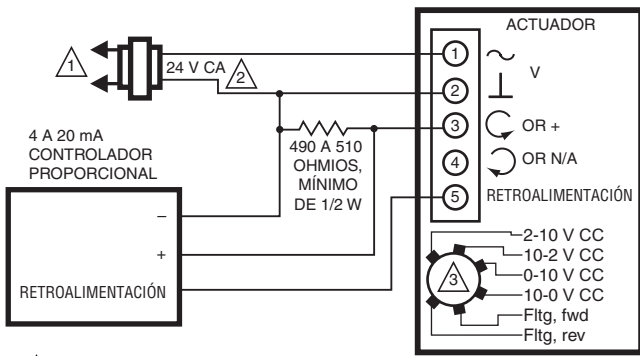


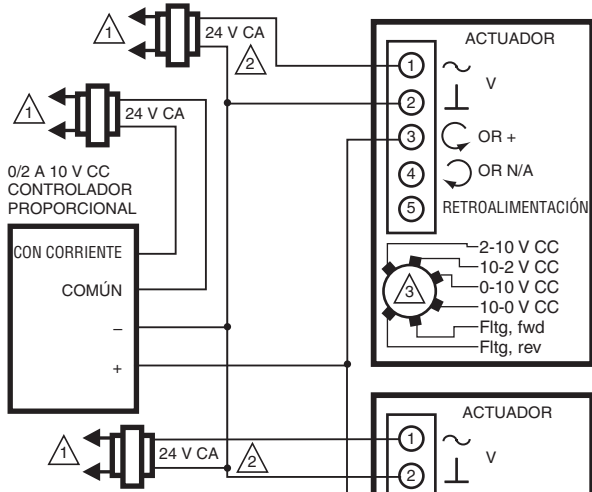
Fig. 24. MS7505 con controladores de 0(2)-10 V CC.



- 1 SUMINISTRO ELÉCTRICO DEL VOLTAJE DE LÍNEA. PROPORCIONE LOS MEDIOS DE DESCONEXIÓN Y DE PROTECCIÓN CONTRA SOBRECARGAS SEGÚN SE REQUIERA.
- 2 SUMINISTRO ACEPTABLE: 24 V CC.
- 3 CONFIGURE EL INTERRUPTOR EN EL MODO DE MODULACIÓN.

Fig. 25. MS7505 con controladores de 4-20 mA.

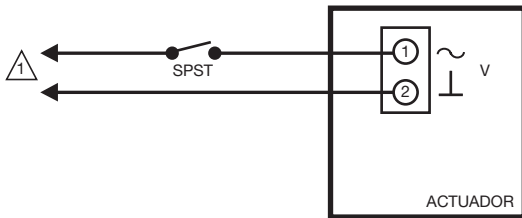
MS34977



- 1 SUMINISTRO ELÉCTRICO DEL VOLTAJE DE LÍNEA. PROPORCIONE LOS MEDIOS DE DESCONEXIÓN Y DE PROTECCIÓN CONTRA SOBRECARGAS SEGÚN SE REQUIERA.
- 2 SUMINISTRO ACEPTABLE: 24 V CC.
- 3 CONFIGURE EL INTERRUPTOR EN EL MODO DE MODULACIÓN.

Fig. 28. MS7505 con controlador de 0(2)-10 V CC que pone en funcionamiento varios actuadores.

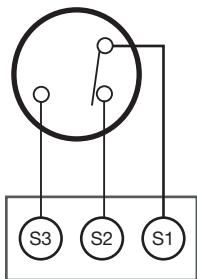
MS34978



- 1 SUMINISTRO ELÉCTRICO DEL VOLTAJE DE LÍNEA. PROPORCIONE LOS MEDIOS DE DESCONEXIÓN Y DE PROTECCIÓN CONTRA SOBRECARGAS SEGÚN SE REQUIERA.

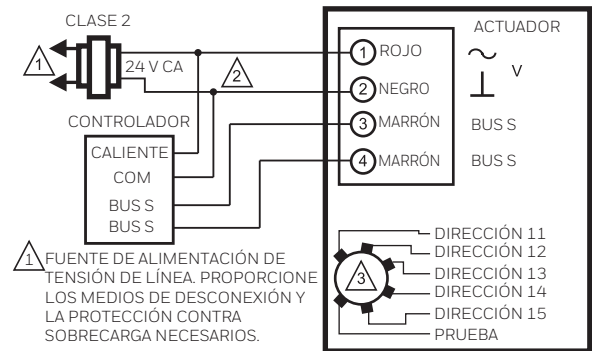
MS29122

Fig. 26. MS4105 con control SPDT de dos posiciones de 120 V CA.



M35813

Fig. 27. Cableado para el modelo con interruptores aux./terminales.



- 1 FUENTE DE ALIMENTACIÓN DE TENSIÓN DE LÍNEA. PROPORCIONE LOS MEDIOS DE DESCONEXIÓN Y LA PROTECCIÓN CONTRA SOBRECARGA NECESARIOS.
- 2 SUMINISTRO DE 24 V CC ACEPTABLE.
- 3 SELECTOR DE DIRECCIONES

Fig. 29. MS3103 with Sylk Bus control.

FUNCIONAMIENTO Y VERIFICACIÓN

Una vez que se hayan completado las instalaciones eléctrica y mecánica, haga lo siguiente:

1. Realice un ciclo del actuador para verificar que la dirección de rotación sea adecuada para la secuencia de control.
2. Si la dirección de rotación es incorrecta, debe tomar estas medidas:

- a. For 2-position and Sylk-enabled spring return actuators: haga lo siguiente: quite, dé vuelta y vuelva a colocar el actuador sobre el soporte.
- b. Para los actuadores de control flotante, haga lo siguiente: invierta los dos cables de la señal de control (en sentido horario/antihorario) o cambie la posición del interruptor de selección.
- c. Para los actuadores de control análogo, haga lo siguiente:
 - (1) cambie la configuración del interruptor de acción directa/inversa; o bien,
 - (2) Para cambiar la dirección del muelle de recuperación: retire, voltee y reemplace el actuador en el soporte.
3. Si el esquema de control requiere un funcionamiento a prueba de fallas, asegúrese de que, al interrumpir el suministro eléctrico, la posición de falla coincida con la secuencia de control.
4. Los actuadores con muelle de retorno están configurados de fábrica para un funcionamiento a prueba de fallas, con configuración normalmente cerrada, al producirse una falla eléctrica. Para cambiar esta acción a la configuración normalmente abierta, quite y vuelva a instalar el actuador en la orientación opuesta, de la siguiente manera:
 - a. Afloje el perno de acoplamiento del eje con una llave de 10 mm.
 - b. Afloje todos los demás pernos de montaje que conectan el actuador al soporte de montaje y déjelos a un lado.
 - c. Quite el actuador del eje de la válvula.
 - d. Desplace el adaptador de eje autocentrante (Self-Centering Shaft Adaptor, SCSA) hacia el lado opuesto del actuador, tal como se muestra en la Fig. 30.

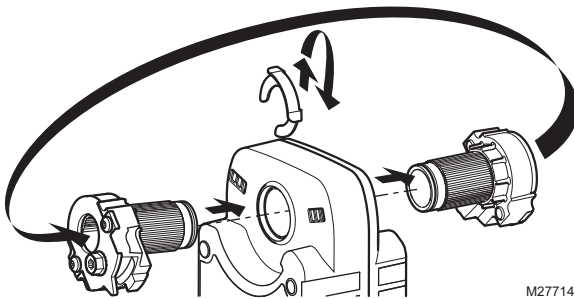


Fig. 30. Cambio del actuador a la configuración normalmente abierta.

- (1) Quite el sujetador de retención del adaptador de eje autocentrante y déjelo a un lado para usarlo más adelante.
- (2) Quite el SCSA del actuador.
- (3) Vuelva a instalar el SCSA en el lado opuesto del actuador y alinéelo según la etiqueta de desplazamiento.
- (4) Vuelva a ubicar el sujetador de retención en el acoplador del eje usando la ranura del acoplador.

- e. Vuelva a conectar el actuador al soporte de montaje de la válvula y a colocar los tornillos que retiró anteriormente (paso b).
- f. Ajuste el perno del acoplador del eje con una llave o un casquillo de 10 mm aplicando un par máximo de 120 lb-in (13.5 Nm).

Funcionamiento

La presión de entrada (Pressure Input, P_{IN}) cambia constantemente en un sistema de zonas múltiples, ya que otras válvulas se abren y cierran. Esto cambia el flujo en el sistema y la presión en el cabezal, según las características de la curva de suministro de la bomba. La reacción del regulador de presión mecánica es instantánea, lo que elimina los cambios en la temperatura ambiente debido a cambios en el flujo de líquido, y reduce la necesidad de que el sistema de control haga funcionar de manera constante la parte de control de la válvula, a fin de corregir los cambios de temperatura por falta de carga que se producen en un sistema con válvulas de control estándar.

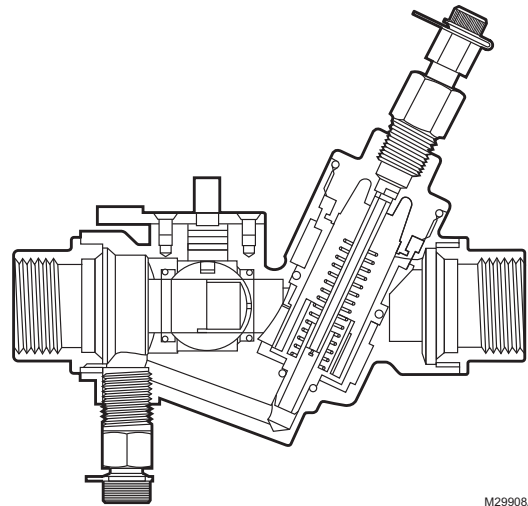


Fig. 31. Corte transversal de la VRN2, donde se observan los conectores, la bola de control y el regulador de presión.

Con flujo completo en una aplicación de control de 2 posiciones, una VRN2 funciona como un limitador de flujo.

El regulador de presión toma un mínimo de presión para funcionar y tiene una capacidad de regulación diferencial máxima. Consulte la Fig. 32. La caída de presión alta en una válvula VRN2 es comparable a la caída de presión en una válvula de control y en una válvula de compensación en un diseño de sistema convencional.

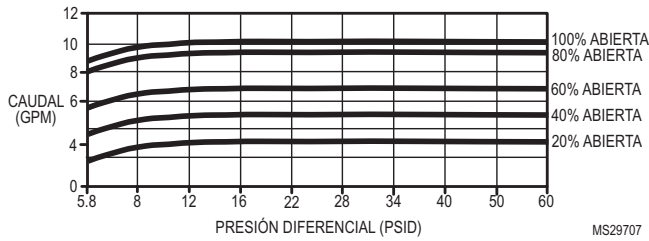


Fig. 32. Modelos de cuerpo grande con regulación de presión.

CONFIGURACIONES Y AJUSTES

En la posición completamente abierta, las válvulas VRN2 mantienen el flujo en el circuito. Los caudales se enumeran en el formulario de Datos de especificación 62-3115EFS. En funcionamiento de estado continuo, el sistema de control solo requiere que la válvula se abra lo suficientemente como para cumplir con las condiciones de carga. Durante el retorno matutino del reajuste del modo de funcionamiento nocturno, el controlador generalmente hará que la válvula esté a 100%. Para lograr un rendimiento óptimo, elija únicamente el siguiente tamaño de válvula más grande necesario para cumplir con la carga de diseño. No se exceda en el tamaño de las válvulas, ya que la reducción en la capacidad de rango puede dar como resultado un control de temperatura menos preciso.

Las válvulas de bola se cierran entre 10% y 15% de carrera, a fin de asegurar el enganche del sello completo. Si lo desea, puede configurar los actuadores de modulación en una respuesta de 0 a 10 V para que 2 V de una señal de control de 2 a 10 V se correspondan más con un flujo mínimo. Aún así, la válvula se cerrará con la pérdida de señal.

Si lo desea, el flujo máximo se puede reducir a un valor menor siguiendo uno de los siguientes dos métodos:

1. Con el actuador de modulación, limite el intervalo de voltaje de control que emite el controlador de automatización de edificios. Las válvulas con insertos de control de flujo tienen una característica de flujo de igual porcentaje (consulte la Fig. 33). Cada

reducción del 10% en el voltaje de control máximo dará como resultado una reducción del 10% en el flujo.

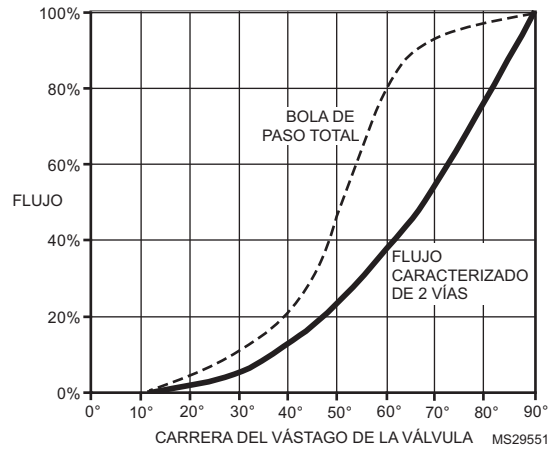


Fig. 33. Características de flujo típico.

2. Para limitar mecánicamente la carrera, configure el actuador de acoplamiento directo (Direct Coupling Actuator, DCA) en la posición completamente abierta. Afloje el acoplador del eje y gire el eje de la válvula hacia la posición de flujo máximo deseada, según lo confirme la medición de presión en el serpentín, usando la información del fabricante de serpentines. Vuelva a ajustar el acoplador del eje. Use la Fig. 33 como guía para configurar la carrera del actuador.

Si usa una técnica de ajuste mecánico con los actuadores de modulación MN/MS7505, la característica de adaptación automática de la carrera convertirá, de manera automática, la señal de 2-10 V CC para la rotación mecánica de la bola. Consulte la documentación del actuador para obtener más información detallada.

El flujo en el serpentín se puede confirmar mediante la lectura de presiones en la entrada y la salida del serpentín (no en la válvula de control debido a que, con compensación convencional, esta caída de presión será constante) y con la información del fabricante para calcular el flujo.

Observe que el regulador de presión de esta válvula garantiza que el flujo que pasa a través del serpentín no se verá afectado por los cambios de flujo ascendente en la presión. A diferencia de las válvulas de compensación convencionales, no es necesario volver a confirmar el flujo en el serpentín después de ajustar otras válvulas. Cualquier desborde durante el retorno matutino debido al gran tamaño de las válvulas de regulación de presión no afectará a otras válvulas del sistema, siempre y cuando las bombas proporcionadas tengan capacidad para el flujo necesario.

Servicio técnico y reparación

El vástago de la válvula se puede reemplazar en línea, si es necesario. Consulte la Fig. 34.

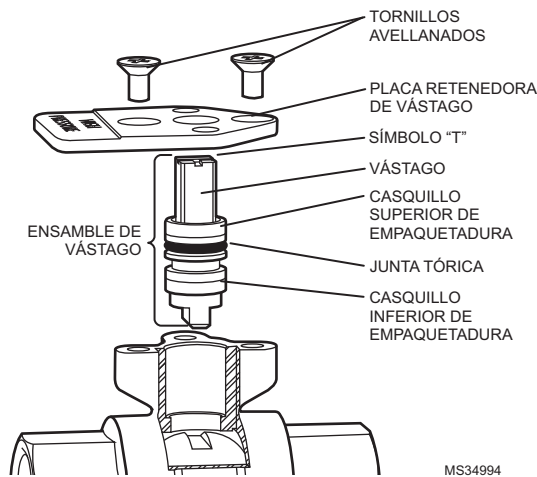


Fig. 34. Reemplazo del vástago de la válvula en línea.

Siga los pasos del 1 al 6 detallados en la sección “Ajuste de la placa de montaje” en la página 3; luego proceda de la siguiente forma:

1. Si el casquillo inferior de empaquetadura se atasca, quítelo con la herramienta para quitar casquillos o con la herramienta con dientes y punta de goma.



PRECAUCIÓN

Evite raspar el interior del cuello de la válvula.
Esto puede provocar una filtración al ensamblarla nuevamente.

2. Quite con cuidado cualquier obstrucción o corrosión del interior de la válvula.
3. Alinee la flecha con la pata más corta del símbolo “T” en el ensamble de vástago nuevo.

NOTA: El símbolo “T” variará.

4. Inserte el ensamble de vástago nuevo. Asegúrese de alinear la llave del vástago con la ranura de la bola.
5. Fije la placa retenedora de alta presión del vástago a la válvula con los tornillos avellanados nuevos. Luego, fije la placa de montaje a la válvula.
6. Vuelva a presurizar la válvula y, antes de continuar, compruebe que el vástago no tenga filtraciones.
7. Deslice el subeje por el vástago, con la lengüeta orientada como se indica en la Fig. 34.
8. Vuelva a ubicar el disyuntor térmico, el eje y la cubierta del eje. Si el eje se desconectó del disyuntor térmico, empuje con firmeza el extremo del eje hasta que la hoja del eje encaje en el disyuntor térmico.
9. Vuelva a ubicar el actuador y asegúrelo al eje y a la placa de montaje.
10. Coloque a presión la manija en la parte superior del eje.

Para realizar cualquier otra tarea de servicio técnico en la válvula, como reemplazar el sello del asiento, es necesario quitar la válvula de la tubería.

Con la utilización de la presente documentación, usted acepta que Honeywell no tendrá responsabilidad alguna por los daños que pudieren surgir del uso o la modificación que usted haga de la documentación. Usted exime a Honeywell, sus afiliadas y subsidiarias de toda responsabilidad, costos o daños, incluyendo las tarifas de abogados, que pudieren surgir o resultar de cualquier modificación que usted realice a esta documentación.

Honeywell Building Technologies

En los EE. UU.:

Honeywell

Honeywell